

# TK 513

## Taconite seal



Taconite Seal consists of two rings (one stationary and one rotating), which form a very narrow labyrinth between the two rings, which prevents ingress of solid and liquid contaminants, even during high-pressure washdowns. The rotating labyrinth ring carries a V-ring seal that seals against the stationary labyrinth ring. The V-ring seal blocks contaminants from entering the bearing housing and aids the purging of contamination and old grease when the seal is re-greased.

- Excellent exclusion of contaminants
- Improved water ingress prevention
- Longer bearing and seal service life
- Reduce grease consumption
- Compact design

## Overview

### Dimensions

Housing groove diameter	85.5 mm
Outside diameter	133 mm
Shaft diameter	60 mm
Width	46 mm

## Properties

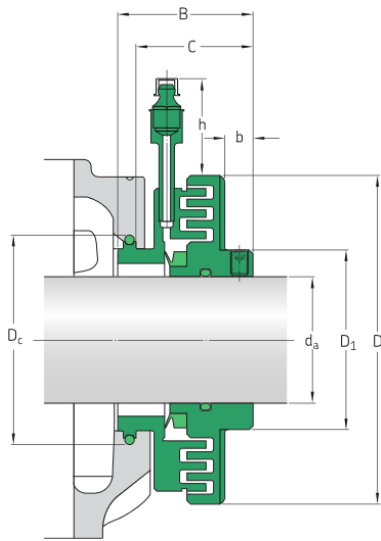
Accessory type	Housing seal
Material	Steel with nitrile rubber elements
Sealing type	Taconite

# Technical Specification

Material

Steel with nitrile rubber elements

## Dimensions



$d_a$	60 mm	Shaft diameter
$D_c$	85.5 mm	Diameter of seal groove
$D$	133 mm	Outside diameter
$D_1$	77 mm	Diameter of side face
$B$	46 mm	Width
$b$	7 mm	Width of step
$c$	39 mm	Distance to side face
$h$	40 mm	Height to grease fitting from outside diameter of rotating ring

## Mass

Mass	1.63 kg
------	---------

## Mounting information

Set screw	M5
Recommended tightening torque for set screw	4 N·m

# Terms and conditions

By accessing and using this website / app owned and published by AB SKF (publ.) (556007-3495 · Gothenburg) ("SKF"), you agree to the following terms and conditions:

## Warranty Disclaimer and Limitation of Liability

Although every care has been taken to assure the accuracy of the information on this website / app, SKF provides this information "AS IS" and DISCLAIMS ALL WARRANTIES, EXPRESS OR IMPLIED, INCLUDING, BUT NOT LIMITED TO, IMPLIED WARRANTIES OF MERCHANTABILITY AND FITNESS FOR A PARTICULAR PURPOSE. You acknowledge that your use of this website / app is at your sole risk, that you assume full responsibility for all costs associated with use of this website / app, and that SKF shall not be liable for any direct, incidental, consequential, or indirect damages of any kind arising out of your access to, or use of the information or software made available on this website / app. Any warranties and representations in this website / app for SKF products or services that you purchase or use will be subject to the agreed upon terms and conditions in the contract for such product or service. Further, for non-SKF websites / apps that are referenced in our website / app or where a hyperlink appears, SKF makes no warranties concerning the accuracy or reliability of the information in these websites / apps and assumes no responsibility for material created or published by third parties contained therein. In addition, SKF does not warrant that this website / app or these other linked websites / apps are free from viruses or other harmful elements.

## Third Party Services

When viewing YouTube content via the SKF website(s) (i.e. using YouTube API Services), you agree to be bound by the YouTube Terms of Service.

## Copyright

Copyright in this website / app copyright of the information and software made available on this website / app rest with SKF or its licensors. All rights are reserved. All licensed material will reference the licensor that has granted SKF the right to use the material. The information and software made available on this website / app may not be reproduced, duplicated, copied, transferred, distributed, stored, modified, downloaded or otherwise exploited for any commercial use without the prior written approval of SKF. However, it may be reproduced, stored and downloaded for use by individuals without prior written approval of SKF. Under no circumstances may this information or software be supplied to third parties.

This website /app includes certain images used under license from Shutterstock, Inc.

## Trademarks and Patents

All trademarks, brand names, and corporate logos displayed on the website / app are the property of SKF or its licensors, and may not be used in any way without prior written approval by SKF. All licensed trademarks published on this website / app reference the licensor that has granted SKF the right to use the trademark. Access to this website / app does not grant to the user any license under any patents owned by or licensed to SKF.

## Changes

SKF reserves the right to make changes or additions to this website / app at any time.