



## Technical data

### UKFLE208H

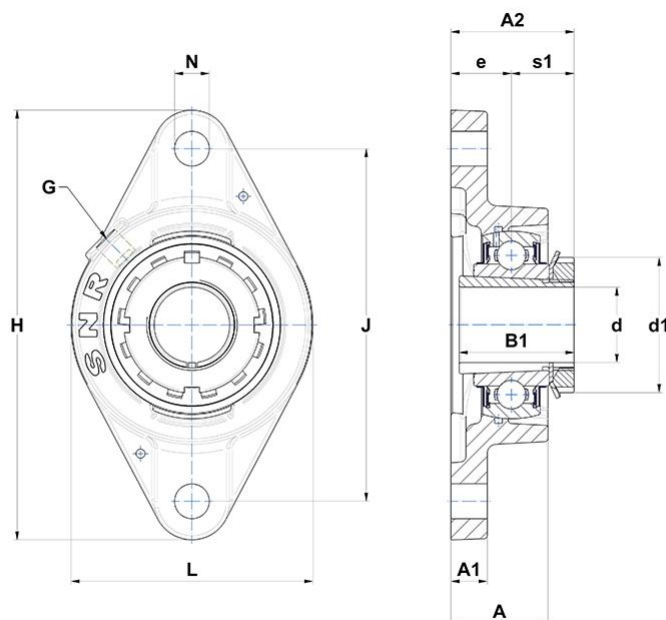
Bearing units

Grey cast housing, radial insert ball bearing with adapter sleeve, seal with slinger.  
 Deviation from figure: For some sizes, the bearing inserts may protrude beyond the mounting surface of the housing.

## KIT CONTENT

UK.208G2H, FLE208

## VISUAL (S)



## PRODUCT DEFINITION

<b>A - Housing height</b>	37,5 mm
<b>A1 - Housing foot height / flange height</b>	13 mm
<b>A2 - Total height from mounting surface</b>	48,5 mm
<b>B - Width of Inner Ring</b>	29 mm
<b>B1 - Overall width IR (with eccent. locking collar/adapt. sleeve)</b>	46 mm

**PRODUCT DEFINITION**

<b>d - Shaft diameter</b>	35 mm
<b>d1 - Outer dia of eccent. Lock. collar / nut of adapter sleeve</b>	58 mm
<b>e - Distance mounting surface to bearing center</b>	24 mm
<b>G - Grease fitting</b>	R1/8"
<b>H - Housing length, width or diameter</b>	172 mm
<b>J - Mounting holes distance</b>	143,5 mm
<b>L - Housing width / diameter</b>	105 mm
<b>N - Mounting hole dimension</b>	14 mm
<b>s1 - Distance nut to middle of bearing raceway</b>	24,5 mm
<b>Brand</b>	SNR

**PRODUCT PERFORMANCE**

<b>C - Dynamic load rating</b>	29,6 kN
<b>C0 - Static load rating</b>	18,2 kN
<b>Operating temperature min.</b>	-20 °C
<b>Operating temperature max.</b>	100 °C

**OTHER FEATURES**

<b>Mass</b>	1,7 kg
<b>Adapter sleeve reference</b>	H2308