

PEDESTALS

Pedestals (also known as Pillow Blocks) are the most common method of mounting Cooper split roller bearings (in cartridges as explained above).

Cooper standard pedestals are shown on the following pages. Pedestals with height-to-centre and bolt hole configurations to match industry standard SN, SD and SAF pillow blocks are listed separately in this catalogue.

Pedestals are common between expansion (EX) and fixed (GR) units.

LOADS AND MOUNTING

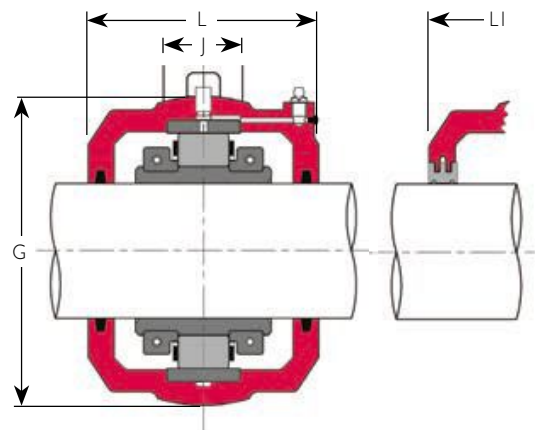
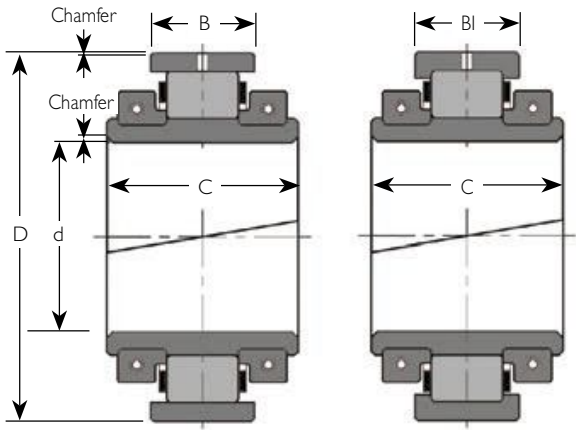
The maximum safe radial load for a pedestal is based on the static rating (C_{or}) of the corresponding size of roller bearing. The full static rating can be applied if the angle of the load falls within the shaded area of the sketch, except for the SNC 500 range for which the maximum load is reduced to 50% C_{or} .

If the radial load falls outside the shaded area, if the radial load exceeds C_{or} , or if the axial loads exceed 50% of the axial rating (C_a) of the corresponding roller bearing please consult our technical department. For 100 Series bearings, the maximum axial load is reduced to 35% C_a and for 01E and 02E series to 26% C_a due to their higher axial load ratings.

Pedestals should be fully supported on a flat, rigid surface to avoid distortion of the pedestal or deflection under load. The flatness of the supporting surface should be to tolerance IT7 according to ISO 1101 and the surface roughness not more than 12.5 μ m Ra.

For loads within 45° of horizontal, the base should be chocked or dowelled.

Standard Cooper pedestals are manufactured from grade EN-GJL-250 grey iron to BS EN 1561 : 1997. Ductile iron and steel pedestals are also available and should be considered for shock or pulsating loads. Particulars of pedestals in alternative materials are available from our technical department.



BEARING DATA

Group Reference	Shaft Diameter d	Reference (I)		D (mm)	C (mm)	B/ BI (mm)	Axial Float (2) (mm)	Mass (kg)
01 108	35	01 B 103	01 B 104	84.14	50.1	23.8	3.5	1.2
	40	01 B 35M	01 B 107					
		01 B 40M	01 B 108					
01E 200	45	01EB 111	01EB 112	98.42	55.7	25.4	4	1.5
	50	01EB 45M	01EB 115					
		01EB 50M	01EB 200					
01E 208	55	01EB 203	01EB 204	114.30	55.7	27.0	4.5	1.8
	60	01EB 60M	01EB 207					
	65	01EB 65M	01EB 208					
01E 300	70	01EB 211	01EB 212	133.35	61.2	31.8	5	2.5
	75	01EB 70M	01EB 215					
		01EB 75M	01EB 300					
01E 308	80	01EB 303	01EB 304	152.40	70.7	38.9	6	4.0
	85	01EB 80M	01EB 307					
	90	01EB 85M	01EB 308					
		01EB 90M						
01E 400	95	01EB 311	01EB 312	174.62	81.0	45.3	7	6.0
	100	01EB 95M	01EB 315					
	105	01EB 100M	01EB 400					
		01EB 105M						
01 408	110	01 B 403	01 B 407	203.20	84.9	46.9	7	10.2
	115	01 B 110M	01 B 408					
		01 B 115M						
01 500	120	01 B 415	01 B 500	222.25	89.7	54.0	7	12.8
	125	01 B 120M						
	130	01 B 125M						
01 508	135	01 B 503	01 B 507	241.30	98.4	55.6	8	15.0
	140	01 B 135M	01 B 508					
		01 B 140M						
01 600	150	01 B 515	01 B 600	254.00	98.4	55.6	8	16.6
	160	01 B 150M	01 B 600-160M					

CARTRIDGE DATA

Cartridge References (I)		G (mm)	J (mm)	L/LI (mm)	Mass (kg)
for felt seals	for ATL seals				
01 C 103	01 C 01	100.00	25	86	2
01 C 104					
01 C 107					
01 C 108					
01 C 111	01 C 02	117.48	25	98	2.5
01 C 112					
01 C 115					
01 C 200					
01 C 203	01 C 03	134.94	32	104	3.2
01 C 204					
01 C 207					
01 C 208					
01 C 211	01 C 04	157.16	38	114	5.5
01 C 212					
01 C 215					
01 C 300					
01 C 303	01 C 05	177.80	50	136	7
01 C 304					
01 C 307					
01 C 308					
01 C 311	01 C 06	203.20	50	134	8
01 C 312					
01 C 315					
01 C 400					
01 C 403	01 C 07	231.78	64	142	11.9
01 C 407					
01 C 408					
01 C 415	01 C 08	266.70	76	156	19.5
01 C 500					
01 C 503					
01 C 507	01 C 09	279.40	76	168	20.8
01 C 508					
01 C 508					
01 C 515	01 C 10*	295.28	82	174	24.4
01 C 600					

1) Add 'EX' or 'GR' to reference for expansion or fixed type respectively, e.g. Bearing: 01 B 35M EX or 01 B 103 EX
Cartridge: 01 C 35M EX or 01 C 01 EX

2) Total movement tabulated. Maximum offset from centreline half this amount