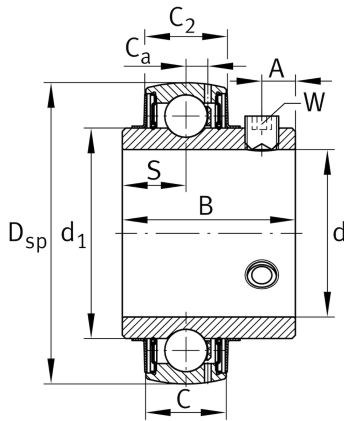


**FAG****UC211**

Radial insert ball bearing

Radial insert ball bearings UC, spherical outer ring, location by grub screws, RSR seals on both sides

Technical information

**Main Dimensions & Performance Data**

d	55 mm	Bore diameter
D _{SP}	100 mm	Outside diameter
B	55.6 mm	Width
C _{ur}	1,240 N	Fatigue load limit, radial
C _r	46,000 N	Basic dynamic load rating, radial
C _{0r}	29,000 N	Basic static load rating, radial
≈m	1.096 kg	Weight

Dimensions

C	25 mm	Width, outer ring
C ₂	25.6 mm	Sealing total width
S	22.2 mm	Distance raceway
d ₁	69.77 mm	Rib diameter inner ring
C _a	7 mm	Distance to lubrication hole
A	10 mm	Distance thread
W	5 mm	Width of flats

Temperature range

T _{min}	-20 °C	Operating temperature min.
T _{max}	100 °C	Operating temperature max.

Calculation factors

f ₀	14.2	Calculation factor
----------------	------	--------------------