



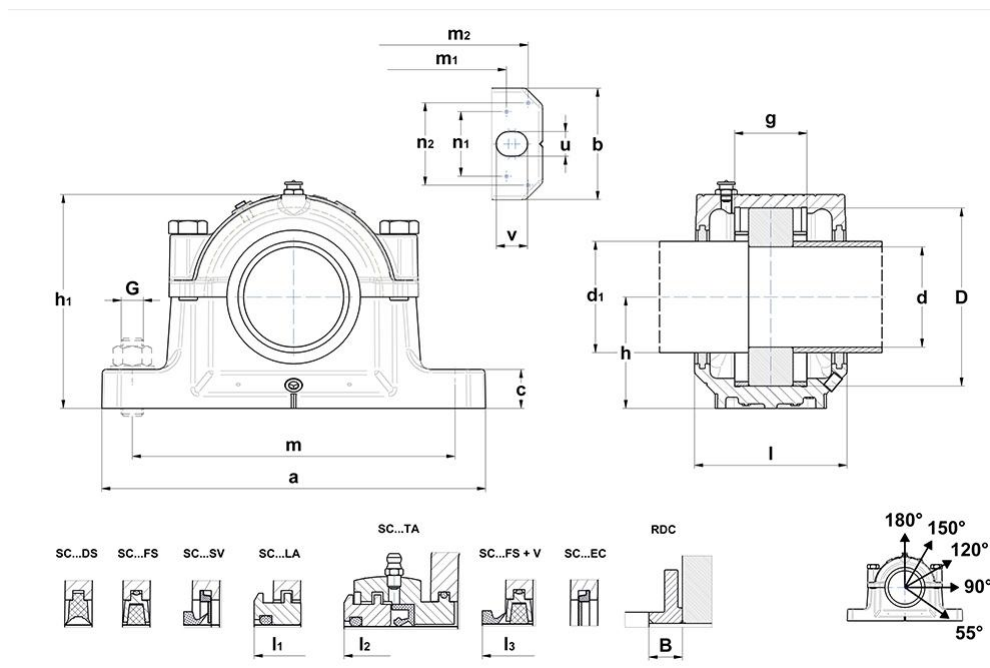
Technical data

SNC218

Split bearing housings SNC(D)

Split plummer block for bearings with cylindrical bore, made of grey cast, for grease lubrication

VISUAL (S)



PRODUCT DEFINITION

d - Shaft diameter	90 mm
d1 - Shaft diameter outlet large	100 mm
a - Housing length	345 mm
b - Housing foot width	100 mm
c - Housing foot height	35 mm
g - Bearing seat width	65 mm
h - Bearing center height	100 mm
h1 - Housing height	192 mm

PRODUCT DEFINITION	
I - Housing mid width	140 mm
I1 - Width over TS	157 mm
I2 - Width over TA	214 mm
I3 - Width over V-ring	167
m - Mounting hole/punches distance (length)	290 mm
m1 - Distance punches (additional holes)	280 mm
n1 - Distance punches for additional holes (width)	58 mm
m2 - Distance punches (dowel pins)	319 mm
n2 - Distance punches for dowel pins (width)	74 mm
u - Mounting hole (width)	22 mm
v - Mounting hole (length)	28 mm
D - Bearing seat diameter	160 mm
B - Width RDC	15 mm
Initial grease quantity	650 cm ³
Diameter dowel pins	6 mm
m3 - Distance blind hole bottom pins	227 mm
Brand	SNR

SEALINGS AND COVER	
Sealing DS	SC 218 DS
Sealing LA	SC 218 LA
Sealing FS	SC 218 FS
Sealing TA	SC 218 TA
Sealing SV	SC 218 SV

SEALINGS AND COVER

end cover EC	SC218-315EC
V-ring option	V100A

BOLTS

G - Fixing bolts	M20
Recommended torque fixing bolts	290 N-m
Connection bolts	M20x90
Recommended torque connection bolts	290 N-m
Maximum loads 120°	260 kN
Maximum loads 150°	150 kN
Maximum loads 180°	130 kN

BREAKING LOADS

Breaking loads P 0°	670 kN
Breaking loads P 55°	550 kN
Breaking loads P 90°	340 kN
Breaking loads P 120°	250 kN
Breaking loads P 150°	220 kN
Breaking loads P 180°	285 kN

ASSOCIATED COMPONENTS - GENERAL

Designation of housing	SNC218-315-
Regulation disc	RDC218

ASSOCIATED COMPONENTS - OPTION 1

Bearing	1218
Fixing ring (x2)	FR160x17,5x6

ASSOCIATED COMPONENTS - OPTION 2

Bearing	2218
Fixing ring (x2)	FR160x12,5x5

ASSOCIATED COMPONENTS - OPTION 3

Bearing	22218
Fixing ring (x2)	FR160x12,5x5

ASSOCIATED COMPONENTS - OPTION 4

Bearing	23218
Fixing ring (x2)	FR160x6,25x4