



FAG

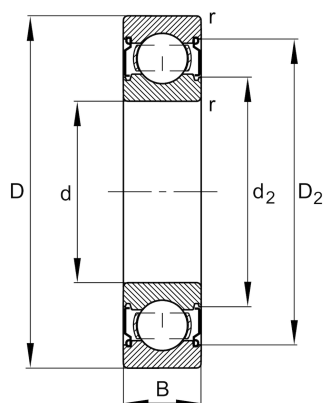
6311-C-2Z

Deep groove ball bearing

Schaeffler ID:
0872497580000

Deep groove ball bearing 63..-C-2Z, single row, Generation C, shields, steel sheet metal cage

Technical information

**Main Dimensions & Performance Data**

d	55 mm	Bore diameter
D	120 mm	Outside diameter
B	29 mm	Width
C_r	83,000 N	Basic dynamic load rating, radial
C_{0r}	47,500 N	Basic static load rating, radial
C_{ur}	3,300 N	Fatigue load limit, radial
n_G	7,200 1/min	Limiting speed
n_{gr}	7,800 1/min	Reference speed
	1.348 kg	Weight

Dimensions

r_{min}	2 mm	Minimum chamfer dimension
D_2	105.3 mm	Caliber diameter outer ring
d_2	72.5 mm	Caliber diameter inner ring

Mounting dimensions

$d_{a min}$	66 mm	Minimum diameter shaft shoulder
$D_{a max}$	109 mm	Maximum diameter of housing shoulder
$r_{a max}$	2 mm	Maximum fillet radius

Temperature range

f_0	12.9	Calculation factor
T_{min}	-20 °C	Operating temperature min.
T_{max}	120 °C	Operating temperature max.

