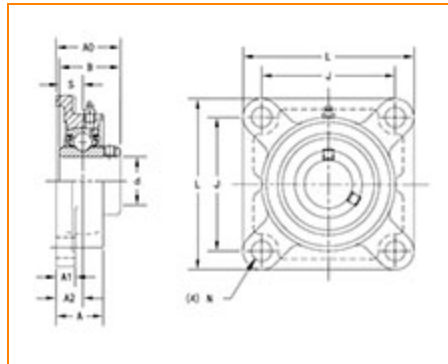




**The Timken Company**  
 4500 Mt Pleasant St. NW  
 N. Canton, OH 44720  
 Phone: (234) 262-3000

E-Mail: [CustomerCAD@timken.com](mailto:CustomerCAD@timken.com) • Web site: [www.timken.com](http://www.timken.com)

## Part Number UCF211, UCF 200 Four-Bolt Flanged Housed Units - Set Screw Locking



### [Specifications](#) | [Dimensions](#) | [Basic Load Ratings](#)

#### Specifications

Bearing Number	UC211
Shaft Size d	55 mm
Weight	7.5 lb 3.400 Kg
UPC Code	087796073807
Locking Style	Set Screw Locking
Housing Construction	Four-Bolt Square Flange

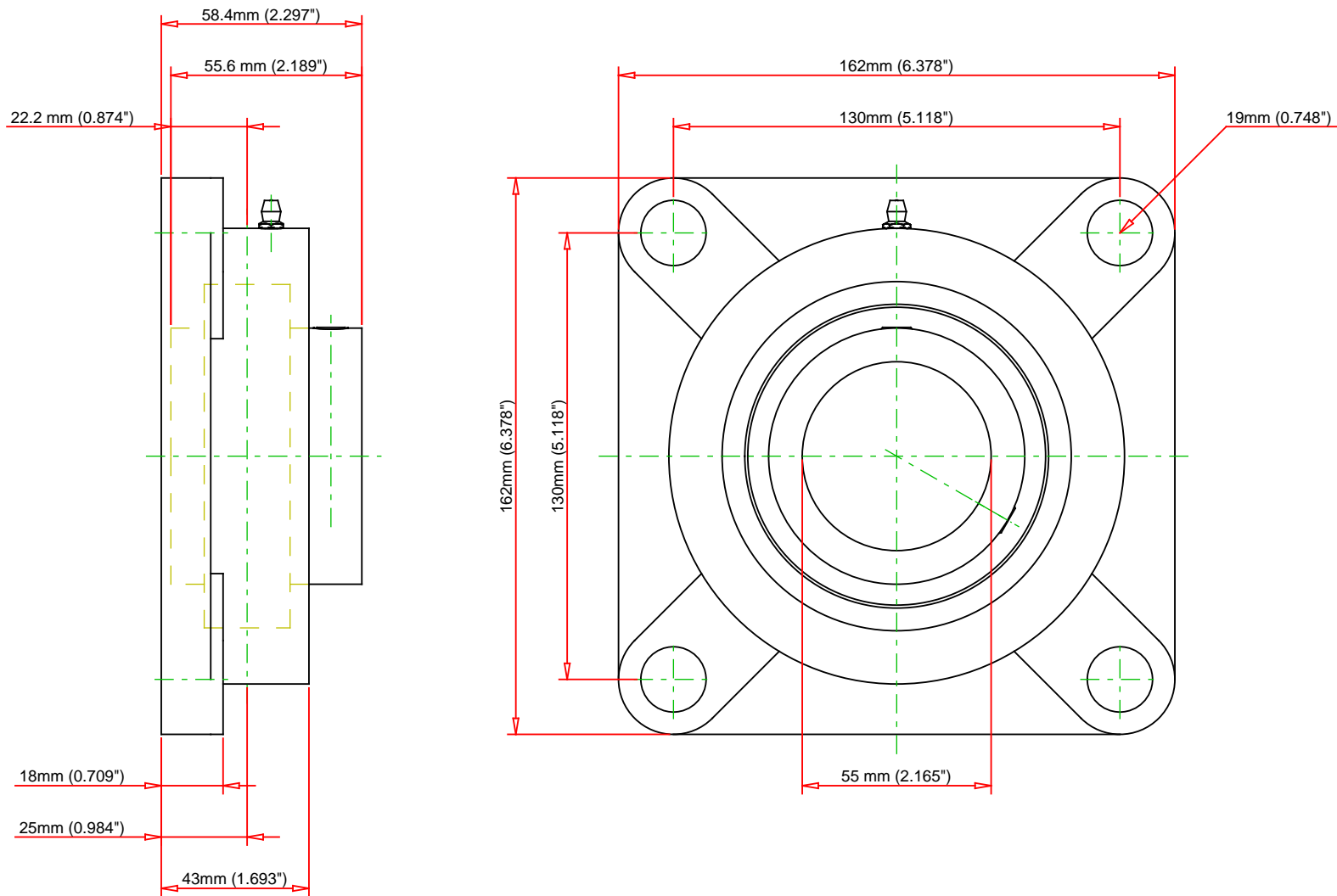
#### Dimensions

Grease Nipple Size	A-R1/8
Total Length L	162.00 mm 6.378 in

<b>Housing Width A</b>	43.00 mm 1.693 in
<b>Bolt Hole Spacing J</b>	130.00 mm 5.118 in
<b>Bolt Hole Size N</b>	19.00 mm 0.748 in
<b>Flange Thickness A1</b>	18 mm 0.709 in
<b>Center of Bearing from Housing End A2</b>	25.00 mm 0.984 in
<b>Inner Ring Width B</b>	55.60 mm 2.189 in
<b>Bolt Size</b>	M16
<b>Center of Bearing from Bearing End S</b>	22.2 mm 0.874 in
<b>Dimension A0</b>	2.297 in 58.4 mm

## Basic Load Ratings

<b>Static Load Rating</b>	6609 lbf 29400 N
<b>Dynamic Load Rating</b>	9757 lbf 43400 N



Bearing Number	UC211			
Load Ratings - C <sub>r</sub>	9757	lbf	43400	N
Load Ratings - C <sub>0r</sub>	6609	lbf	29400	N
Weight	7.5	lb	3.4	kg
Bolt Size	M16			

**TIMKEN**

THE TIMKEN COMPANY  
NORTH CANTON, OHIO USA

**UCF211**

UCF 200 Four-Bolt Flanged Housing Units  
- Set Screw Locking

Every reasonable effort has been made to ensure the accuracy of the information contained in this writing, but no liability is accepted for errors, omissions or for any other reason.

**FOR DISCUSSION ONLY**