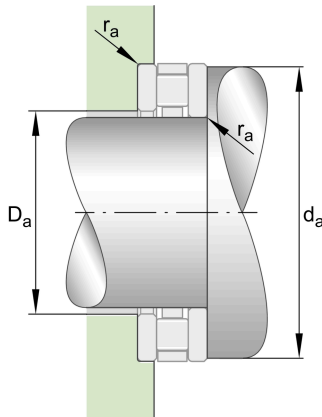
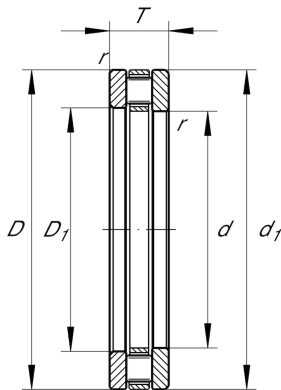
**81116-TV**

Axial cylindrical roller bearing

Schaeffler ID:
0003618280000Axial cylindrical roller bearings 811, single
direction, comprising K811, GS, WS

Technical information

**Main Dimensions & Performance Data**

d	[80] mm	Bore diameter
D	[105] mm	Outside diameter
T	[19] mm	Height
C_a	[106,000] N	Basic dynamic load rating, axial
C_{0a}	[350,000] N	Basic static load rating, axial
C_{ua}	[36,000] N	Fatigue load limit, axial
n_G	[3,100] 1/min	Limiting speed
n_{gr}	[1,170] 1/min	Reference speed
	[386.4] g	{Weight}

Mounting dimensions

$d_{a\ min}$	[102] mm	Minimum diameter shaft shoulder
$D_{a\ max}$	[83] mm	Maximum diameter of housing shoulder
$r_{a\ max}$	[1] mm	Maximum recess radius

Dimensions

D_1	[82] mm	Bore diameter housing washer
d_1	[105] mm	Rip diameter shaft washer
r_{\min}	[1] mm	Minimum chamfer dimension

Temperature range

T_{\min}	[-30] °C	Operating temperature min.
T_{\max}	[120] °C	Operating temperature max.

Additional information

[K81116-TV]	Axial roller and cage assembly
[GS81116]	Housing Washer
[WS81116]	Shaft washer
[LS80105]	Track Washer