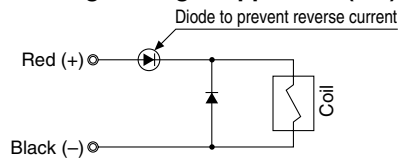


Surge Voltage Suppressor

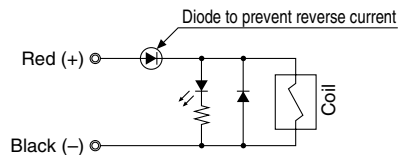
<For DC>

Grommet, L/M Plug Connector Type

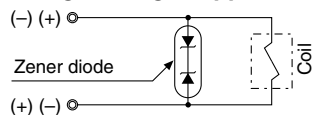
■ Standard type (With polarity) With surge voltage suppressor (□S)



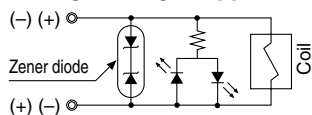
Light/Surge voltage suppressor (□Z)



■ Non-polar type With surge voltage suppressor (□R)



Light/Surge voltage suppressor (□U)



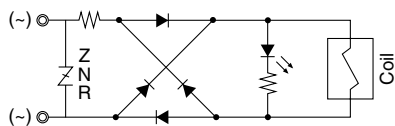
- Please connect correctly the lead wires to + (positive) and - (negative) indications on the connector.
(For non-polar type, the lead wires can be connected to either one.)
- For DC voltages other than 12 and 24 VDC, incorrect wiring will cause damage to the surge voltage suppressor circuit. (Wrong polarity will cause trouble.)
- Solenoids, whose lead wires have been pre-wired: positive side red and negative side black.

<For AC>

("S" option is not available since voltage surge is suppressed by the converter.)

Grommet, L/M Plug Connector Type

With indicator light (□Z)



⚠ Caution

In the case of zener diode and protection circuit for surge voltage of ZNR, use caution to the surge voltage protection in the controller side, since there remains the residual voltage according to the protecting element and the rated voltage. Moreover, the residual voltage of the diode is approximately 1 V.

Connector Assembly with Protective Cover

Connector assembly with a protective cover which's taken countermeasures against dustlight.

- Effective to prevent short circuit accidents caused by invasion of foreign matters into the connector section, etc.
- Cover material adopts the chloroprene rubber which is excellent in weatherability and electric insulation properties. However, use caution not to allow contact with cutting oil, etc.
- Simple and unencumbered appearance by adopting round-shaped cord.

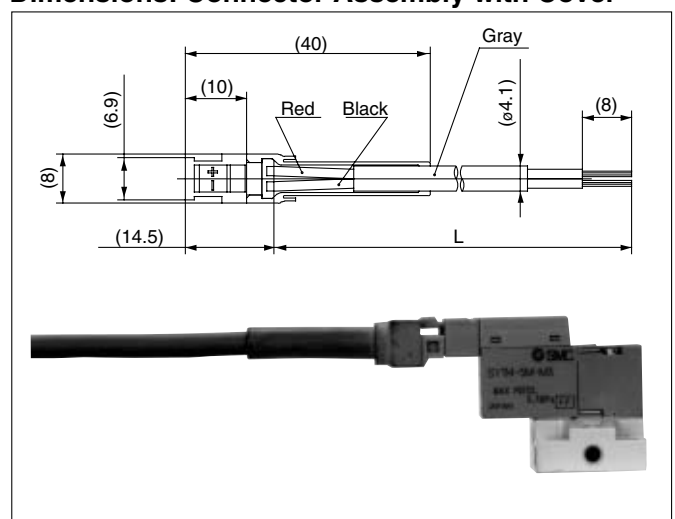
How to Order

SY100-68-A-□

• Lead wire length (L)

Nil	300 mm
6	600 mm
10	1000 mm
15	1500 mm
20	2000 mm
25	2500 mm
30	3000 mm
50	5000 mm

Dimensions: Connector Assembly with Cover



• How to Order

Include the connector assembly part number together with the part number for the plug connector's solenoid valve without connector.

<Example 1> For lead wire length: 2000 mm

SY114-5LOZ-M3

SY100-68-A-20

<Example 2> For lead wire length: 300 mm (Standard)

SY114-5LPZ-M3

Symbol of connector assembly with protective cover

* No part numbers of connector assembly with cover are needed to be indicated in this case.

V100

SY

SYJ

VK

VZ

VT

VP

VG

VP

S070

VQ

VKF

VQZ

VZ

VS

VFN