



Brand of NTN corporation

Technical data

SUC 206 FG1

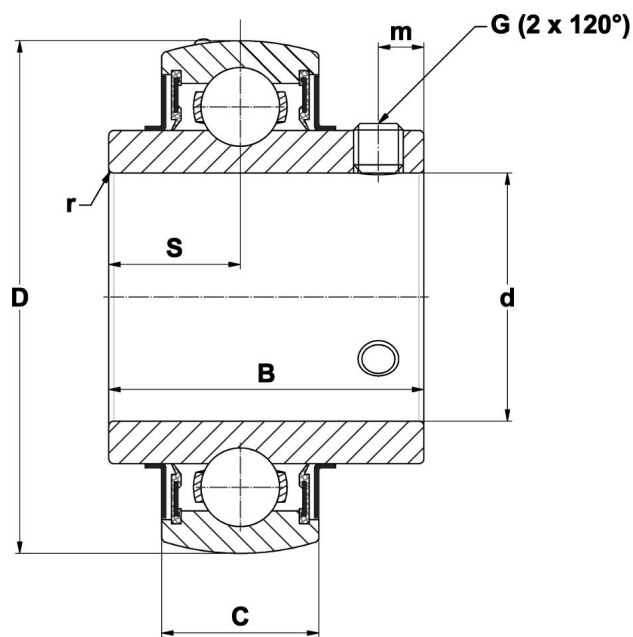
Insert bearings



BALL BEARING INSERT
SENTINEL SERIES

SENTINEL Series: Stainless steel insert ball bearing, spherical outer ring with anti-rotation ball, fixing by socket set screws, seals with slingers, "Full Pack" LUBSOLID food solid lubrication.

VISUAL (S)



PRODUCT DEFINITION

Brand	SNR
B - Width of Inner Ring	38,1 mm
C - Width of Outer Ring	19 mm
C1 - Distance center of OR to center of lubrication zone	5 mm
d - Shaft diameter	30 mm
D - Outer diameter of OR	62 mm
G - Set screw size	M6x1



NTN Europe

1 rue des Usines · BP 2017 · 74010 Annecy Cedex · France · Tel. +33 (0)4 50 65 30 00
S.A. au capital de 322 639 919 € · RCS ANNECY B 325 821 072 · Id. Fiscale : FR 48 325 821 072
SIRET 325 821 072 00015 · Code APE 2815 Z · Code NACE 28.15

PRODUCT DEFINITION

m - Distance to set screw	5 mm
r - Radius Inner Ring	0.5
S - Distance front side/bearing centre	15,9 mm
f0 - Factor	13.7
SW - Wrench size	3 mm

PRODUCT PERFORMANCE

C - Dynamic load rating	19,4 kN
C0 - Static load rating	11,2 kN
Operating temperature min.	-10 °C
Operating temperature max.	80 °C

OTHER FEATURES

Mass	0,29 kg
Recommended tightening torque for set screw	3.9 N-m

BEARING FREQUENCIES

BPFO - Characteristic outer ring frequency (60 rpm)	3.56820652173913 Hz
BPFI - Characteristic inner ring frequency (60 rpm)	5.43179347826087 Hz
FTF - Characteristic cage frequency (60 rpm)	0.396467391304348 Hz
BSF - Characteristic rolling element frequency (60 rpm)	4.62233110806801 Hz

