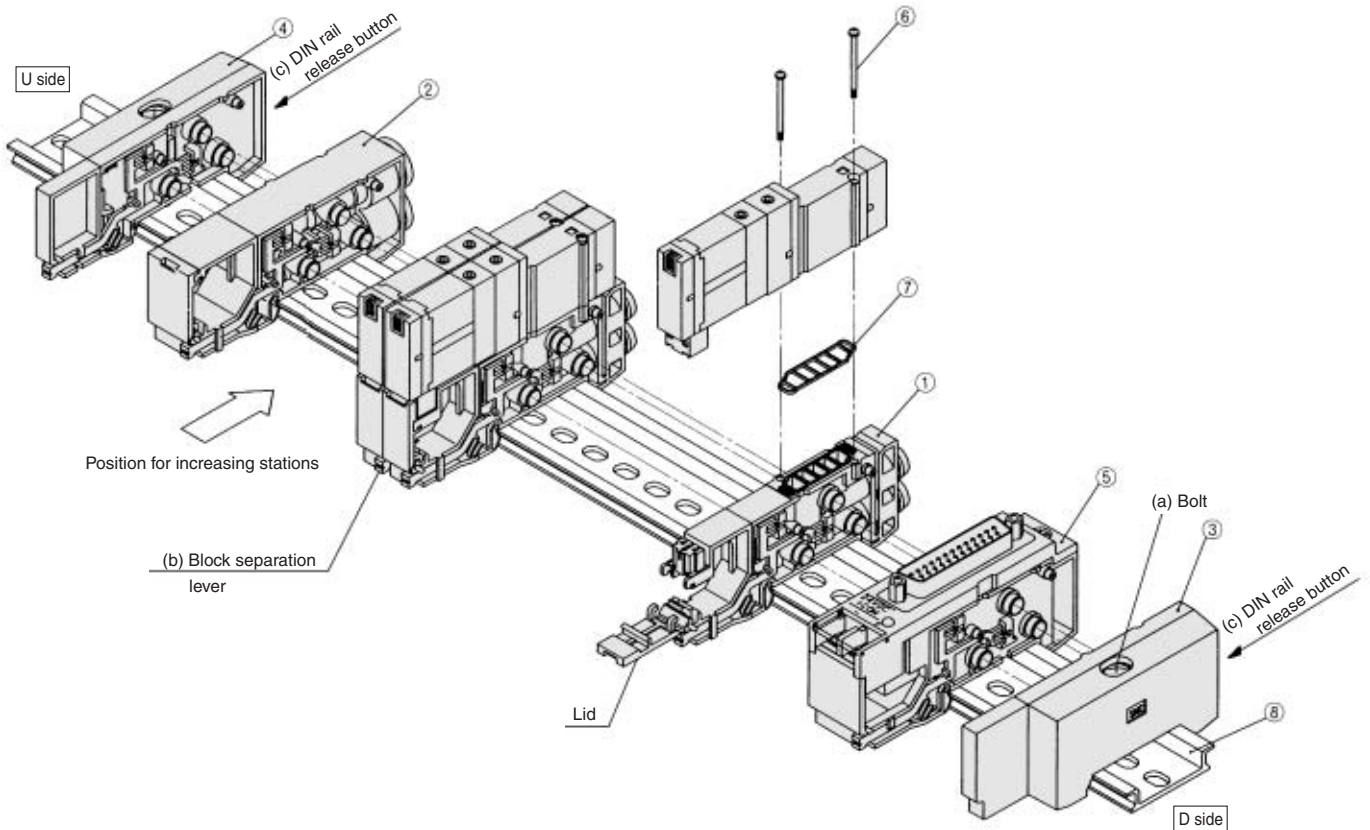


## Exploded View: DIN Rail Manifold

### Type 45F (D-sub connector type) Manifold



### Replacement Parts

No.	Description	Part no.		Note	
		SX3000	SX5000		
①	Manifold block assembly	Manifold block assembly number differs according to an attached lead wire assembly based on the connector specification (Single, Double). Select an appropriate part number from among the manifold block assembly numbers shown below.			
②	SUP/EXH block assembly	(Metric size) SX3000-51-2A (Inch size) SX3000-51-16A	(Metric size) SX5000-51-2A (Inch size) SX5000-51-16A	R, P port SX3000 (Metric size): With One-touch fittings for ø8 (Inch size): With One-touch fittings for ø5/16" R, P port SX5000 (Metric size): With One-touch fittings for ø10 (Inch size): With One-touch fittings for ø3/16"	
③	End block assembly	SX3000-52-2A	SX5000-52-2A	For D side	
④	End block assembly	SX3000-53-2A	SX5000-53-2A	For U side	
⑤-1	Connector block assembly (For D-sub connector)	SX3000-64-1A <sub>1NA</sub>	SX5000-64-1A <sub>1NA</sub>	-1A: +COM -1NA: -COM	Note) 24 VDC
⑤-2	Connector block assembly (For 26 pins flat cable)	SX3000-64-2A <sub>2NA</sub> -26	SX5000-64-2A <sub>2NA</sub> -26	-2A: +COM. -2NA: -COM.	
⑤-3	Connector block assembly (For 20 pins flat cable)	SX3000-64-2A <sub>2NA</sub> -20	SX5000-64-2A <sub>2NA</sub> -20		
⑤-4	Connector block assembly (For 10 pins flat cable)	SX3000-64-2A <sub>2NA</sub> -10	SX5000-64-2A <sub>2NA</sub> -10		
⑤-5	Connector block assembly (For 2 to 8 stations (T, T1) terminal block)	SX3000-64-3A	SX5000-64-3A	In common between +COM and -COM.	
⑤-6	Connector block assembly (For 9 to 17 stations (T1) terminal block)	SX3000-64-8A	SX5000-64-8A		
⑥	Round head combination screw	SX3000-22-2 (M2 x 24)	M3 x 30 (Matt nickel plated)		
⑦	Gasket	SX3000-57-4	SX5000-57-6		
⑧	DIN rail	VZ1000-11-1-□		Refer to page 1-6-77.	

Note) The numbers ⑤-1 to 4 are for 24 VDC. For 12 VDC, suffix -12V to the parts no.  
(Example) SX3000-64-1A-12V

### Manifold Block Assembly Part No.

Style of manifold	Wiring specifications	Manifold block assembly part no.	Note
For 45(N)F (D-sub connector)	Double	SX $\frac{3}{2}$ 000-50-2A-□□	□□: • SX3000 (Metric size) (Inch size) C4: With One-touch fitting for ø4 N3: With One-touch fitting for ø5/32" C6: With One-touch fitting for ø6 N7: With One-touch fitting for ø1/4" X5000 (Metric size) (Inch size) C4: With One-touch fitting for ø4 N3: With One-touch fitting for ø5/32" C6: With One-touch fitting for ø6 N7: With One-touch fitting for ø1/4" C8: With One-touch fitting for ø8 N9: With One-touch fitting for ø5/16" (Gasket ⑦ supplied as an accessory.)
	Single	SX $\frac{3}{2}$ 000-50-3A-□□	
For 45(N) $\frac{P}{PH}$ (Flat ribbon cable)	Double	SX $\frac{3}{2}$ 000-50-4A-□□	
	Single	SX $\frac{3}{2}$ 000-50-5A-□□	
For 45 $\frac{T}{T1}$ (Terminal block)	Double	SX $\frac{3}{2}$ 000-50-6A-□□	
	Single	SX $\frac{3}{2}$ 000-50-7A-□□	