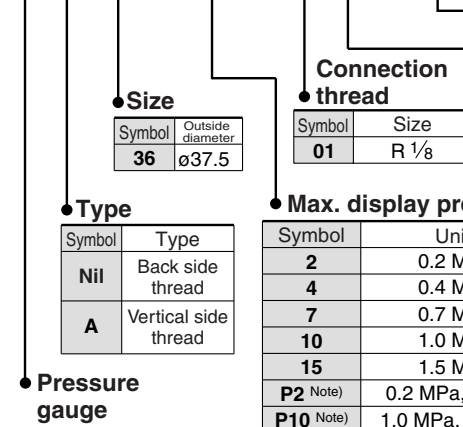


Pressure Gauge for General Purpose/With Limit Indicator *Series G36/GA36*

How to Order

G **36** - **10** - **01** - **Option**



Size

Symbol	Outside diameter
36	ø37.5

Connection thread

Symbol	Size
01	R 1/8

Option

Symbol	Specifications
Nil	—
M	M5 (Female thread)

Note) Use M5 female thread when piping onto a panel.

Option

Symbol	Specifications
Nil	—
X2	Nickel plated
X4	Oil-free (Wetted parts degrease washing)
X30	Both MPa and psi

Note 1) X3 (wetted parts stainless steel) specifications is not available.

Note 2) Cover ring assembly is not available.

Type

Symbol	Type
Nil	Back side thread
A	Vertical side thread

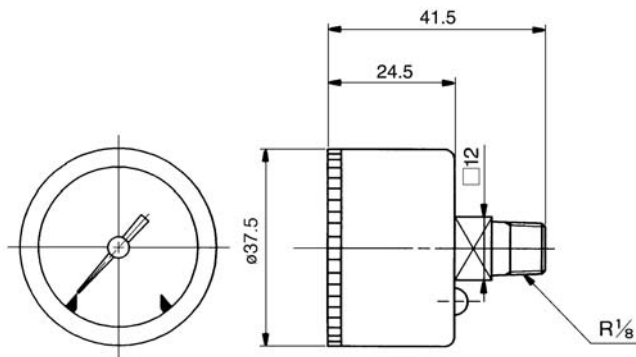
Max. display pressure

Symbol	Unit
2	0.2 MPa
4	0.4 MPa
7	0.7 MPa
10	1.0 MPa
15	1.5 MPa
P2 (Note)	0.2 MPa, 30 psi
P10 (Note)	1.0 MPa, 150 psi

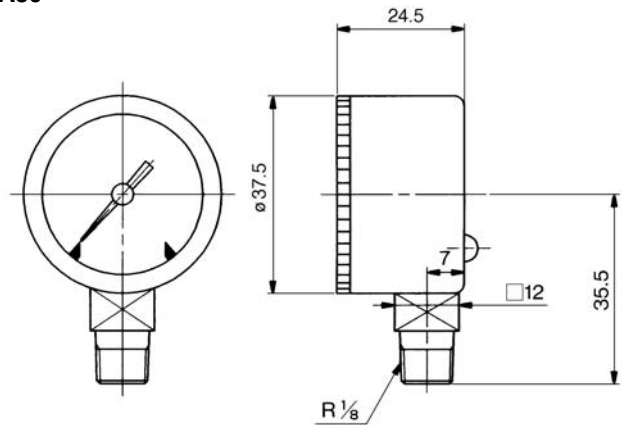
Note) This symbol must be used with Option "X30."

Dimensions

G36



GA36



G
GS
PPA