



FIRESAFE REMOTE LED INDICATOR UNIT



REMOTE LAMP UNIT WITH BUZZER

A bright LED indicator with buzzer suitable for use as a local alarm/indicator. This product is available as either flush or surface mounted.

Features

- Very bright, easily visible LED
- 80 dBA buzzer
- Ideal for use as a local alarm/indicator

Specification	
Maximum Conductor Size	2.5 mm per terminal
Voltage Range	16 V to 45 V
Current in Alarm (Max.)	8 mA
Typical Sound Output	80 dB(A) @ 1 m (24 V d.c)
Operating Temperature	-5° to +50° Celsius
Operating humidity	95% non-condensing
Material	Fire rated ABS
Installation Knockouts	4 x 20 mm round, 1 x rectangular



For FLUSH MOUNTED
Use part number FRLN



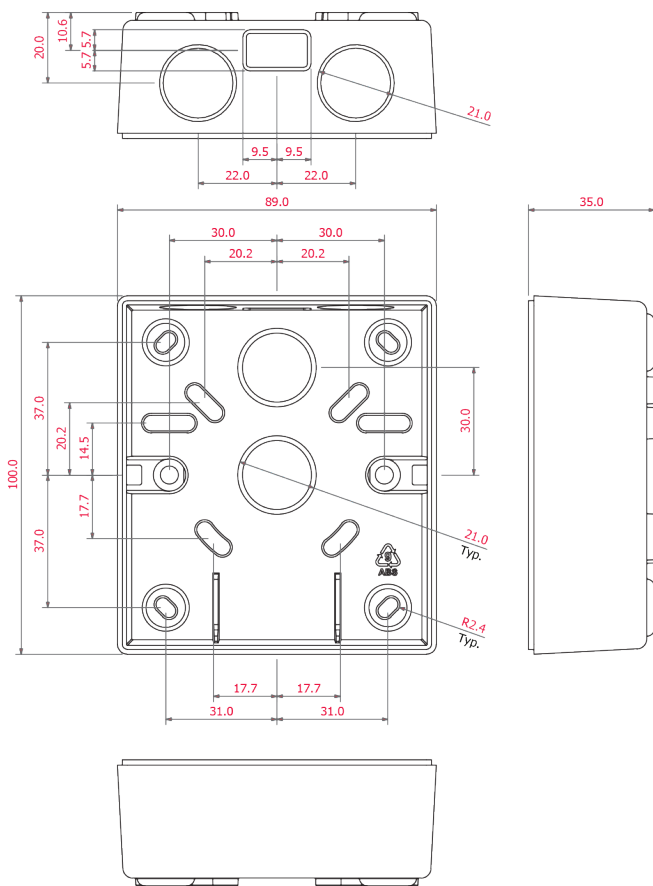
For SURFACE MOUNTED
Use part number
FRLN & FSWBB



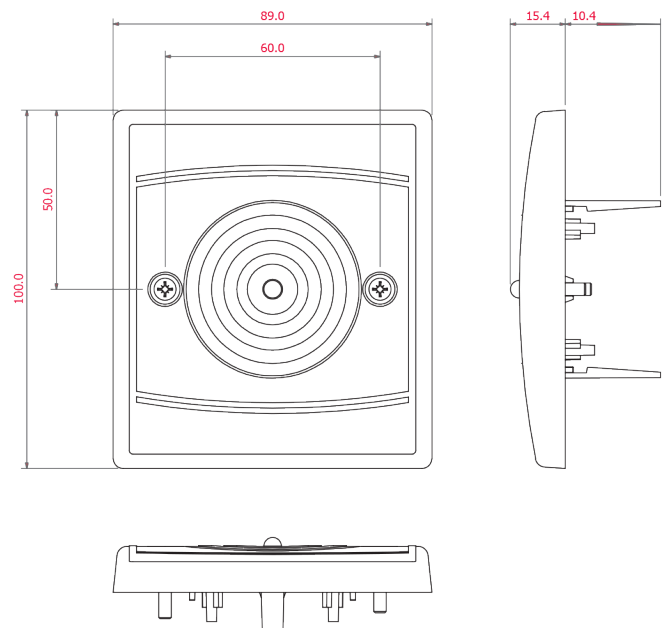
FIRESAFE REMOTE LED INDICATOR UNIT

TECHNICAL DRAWING

BACK BOX



REMOTE LAMP UNIT



Dimensions: mm