

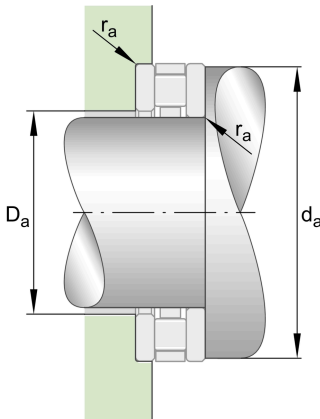
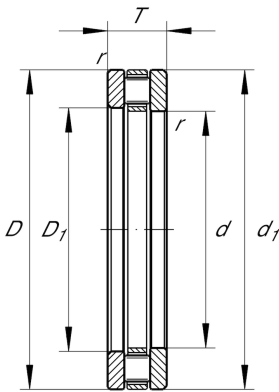
81222-TV

Axial cylindrical roller bearing

Schaeffler ID:
0000568040000

Axial cylindrical roller bearings 874, single direction, comprising K874, GS, WS

Technical information



Main Dimensions & Performance Data

d	[110] mm	Bore diameter
D	[160] mm	Outside diameter
T	[38] mm	Height
C_a	[325,000] N	Basic dynamic load rating, axial
C_{0a}	[1,030,000] N	Basic static load rating, axial
C_{ua}	[106,000] N	Fatigue load limit, axial
n_G	[2,130] 1/min	Limiting speed
n_{gr}	[860] 1/min	Reference speed
	[2.335] kg	{Weight}

Mounting dimensions

$d_{a\ min}$	[152] mm	Minimum diameter shaft shoulder
$D_{a\ max}$	[117] mm	Maximum diameter of housing shoulder
$r_{a\ max}$	[1.1] mm	Maximum recess radius

Dimensions

D_1	[113] mm	Bore diameter housing washer
d_1	[160] mm	Rip diameter shaft washer
r_{\min}	[1.1] mm	Minimum chamfer dimension

Temperature range

T_{\min}	[-30] °C	Operating temperature min.
T_{\max}	[120] °C	Operating temperature max.

Additional information

[K81222-TV]	Axial roller and cage assembly
[GS81222]	Housing Washer
[WS81222]	Shaft washer
[LS150190]	Track Washer