

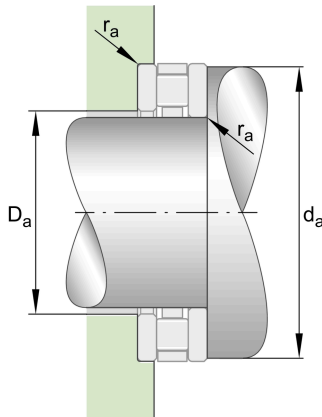
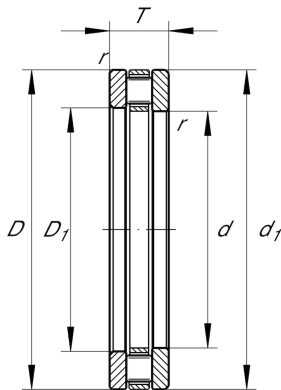
81218-TV

Axial cylindrical roller bearing

Schaeffler ID:
0006505280000

Axial cylindrical roller bearings 874, single direction, comprising K874, GS, WS

Technical information



Main Dimensions & Performance Data

d	[90] mm	Bore diameter
D	[135] mm	Outside diameter
T	[35] mm	Height
C_a	[290,000] N	Basic dynamic load rating, axial
C_{0a}	[890,000] N	Basic static load rating, axial
C_{ua}	[95,000] N	Fatigue load limit, axial
n_G	[2,550] 1/min	Limiting speed
n_{gr}	[910] 1/min	Reference speed
	[1.649] kg	{Weight}

Mounting dimensions

$d_{a \min}$	[129] mm	Minimum diameter shaft shoulder
$D_{a \max}$	[95] mm	Maximum diameter of housing shoulder
$r_{a \max}$	[1.1] mm	Maximum recess radius

Dimensions

D_1	[93] mm	Bore diameter housing washer
d_1	[135] mm	Rip diameter shaft washer
r_{\min}	[1.1] mm	Minimum chamfer dimension

Temperature range

T_{\min}	[-30] °C	Operating temperature min.
T_{\max}	[120] °C	Operating temperature max.

Additional information

[K81218-TV]	Axial roller and cage assembly
[GS81218]	Housing Washer
[WS81218]	Shaft washer
[LS6590]	Track Washer