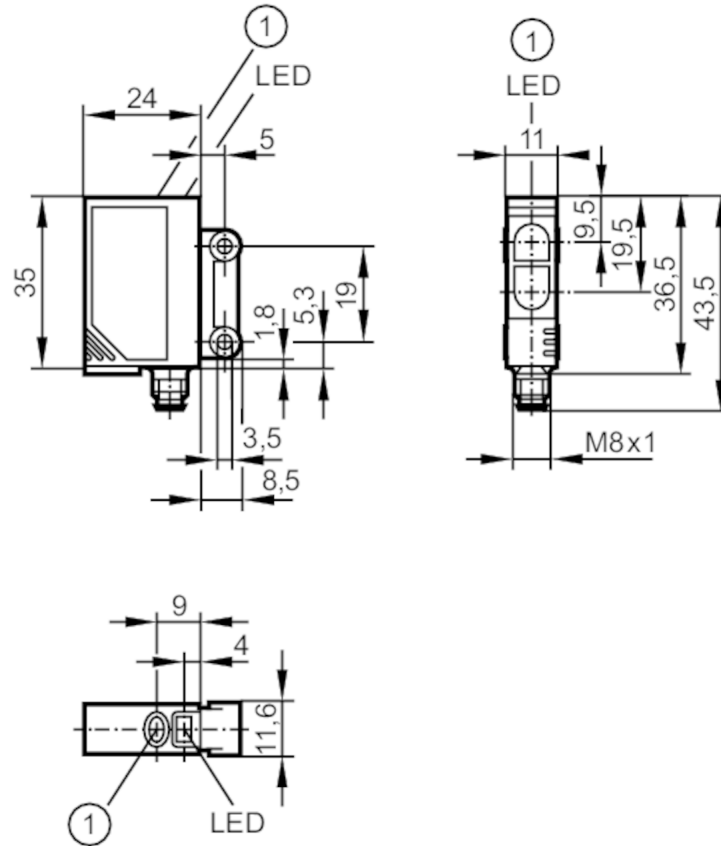


# OJ5154



## Laser diffuse reflection sensor

OJHLFPKG/SO/AS



- 1 pushbutton  
receiver in upper lens  
transmitter in lower lens



### Product characteristics

Type of light	red light
Laser protection class	1
Housing	rectangular
Dimensions [mm]	35 x 11 x 24

### Application

Special feature	Background suppression
Function principle	Diffuse reflection sensor

### Electrical data

Operating voltage [V]	10...30 DC
Current consumption [mA]	13
Protection class	III
Reverse polarity protection	yes
Type of light	red light
Wave length [nm]	650
Typ. lifetime [h]	50000



## Laser diffuse reflection sensor

OJHLFPKG/SO/AS

Outputs		
Electrical design		PNP
Output function		light-on/dark-on mode; (programmable)
Max. voltage drop switching output DC	[V]	2.5
Permanent current rating of switching output DC	[mA]	200
Switching frequency DC	[Hz]	1000
Short-circuit protection		yes
Type of short-circuit protection		pulsed
Overload protection		yes
Detection zone		
Range	[mm]	15...200; (white paper 200 x 200 mm 90% remission)
Range adjustable		yes
Diameter of the smallest detectable object	[mm]	2
Max. light spot width	[mm]	2
Max. light spot height	[mm]	1
Background suppression available		yes
Operating conditions		
Ambient temperature	[°C]	-10...60
Protection		IP 67
Tests / approvals		
EMC		EN 60947-5-2
Laser protection class		1
Notes on laser protection	Caution:	laser light
	laser class:	1
		EN / IEC60825-1:2007
		EN / IEC60825-1:2014
		Complies with 21 CFR 1040 except for deviations pursuant to Laser Notice No. 50, dated June 2007.
MTTF	[years]	501
Mechanical data		
Weight	[g]	40.7
Housing		rectangular
Dimensions	[mm]	35 x 11 x 24
Materials		housing: ABS; LED window: SEPS; pushbutton: SEPS
Lens material		PMMA
Lens alignment		side lens
Displays / operating elements		
Display	switching status	1 x LED, yellow
	operation	1 x LED, green
Electronic lock		yes

# OJ5154



## Laser diffuse reflection sensor

OJHLFPKG/SO/AS

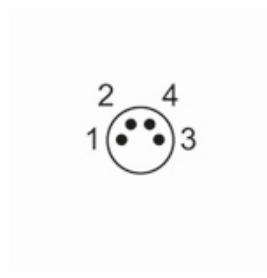
Accessories	
Accessories (supplied)	screws: 2
	spring washers: 2
	Nuts: 2

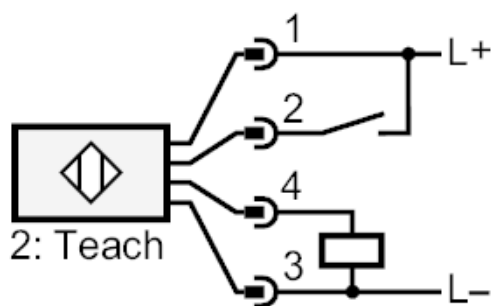
Remarks	
Remarks	operating voltage "supply class 2" according to cULus
Pack quantity	1 pcs.

### Electrical connection

Connector: 1 x M8

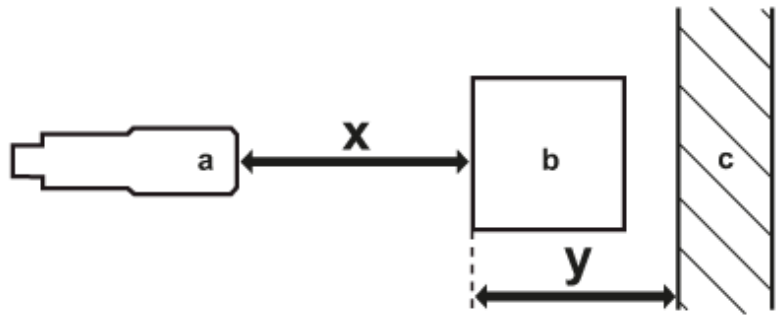


### Connection



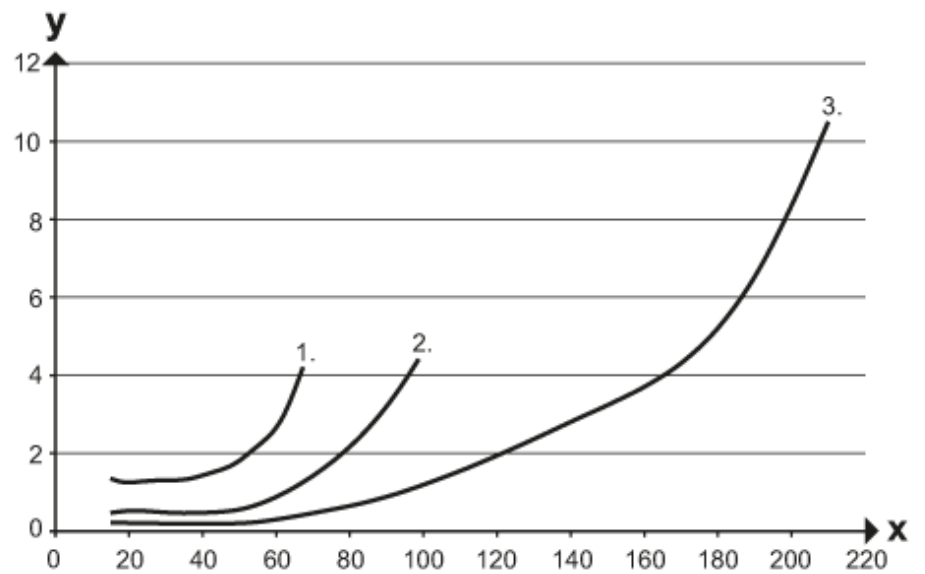
2 Teach

### Diagrams and graphs



- a: sensor
- b: object
- c: background
- x: distance sensor/object [mm]
- y: min. distance object/background [mm]

### accuracy graph



- x: distance sensor/object [mm]
- y: min. distance object/background [mm]
- 1 = object black (6 % remission) , background (white 90 % remission)
- 2 = object grey (18 % remission) , background (white 90 % remission)
- 3 = object white (90 % remission) , background (white 90 % remission)