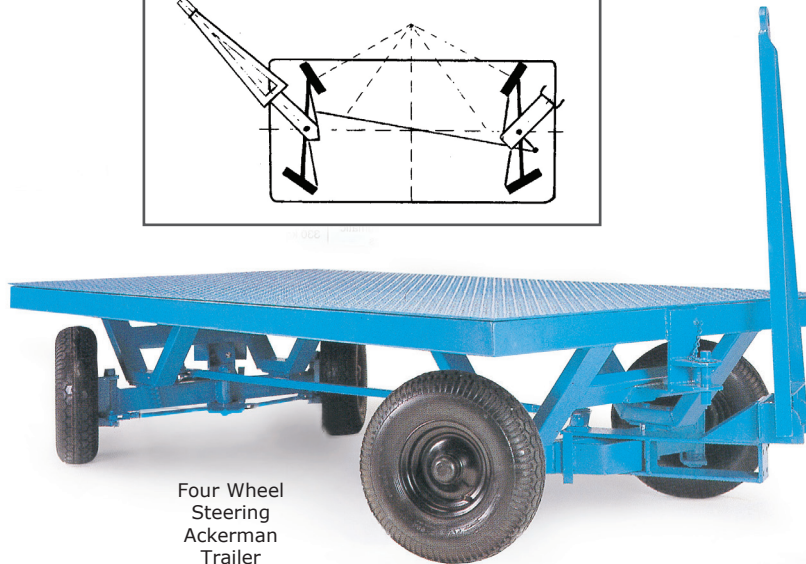
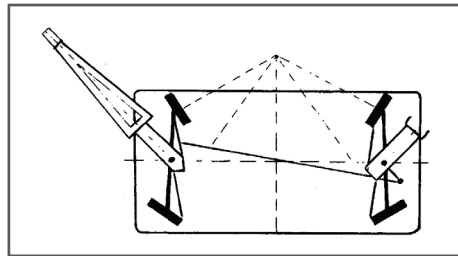


HEAVY DUTY INDUSTRIAL TRAILERS



Four Wheel Steering Ackerman Trailer



CE Marked & Plated
 Towing eye diameter 50mm
 Safety features include:
 A 'stop' prevents the drawbar dropping below 230mm
 A 'lock' holds the drawbar vertically
 Heavy king pins & spring loaded retaining ball in the rear coupling pin ensure safe towing & eliminates self-releasing

ACKERMAN STEERING TRAILERS

Ackerman steering for tight turning circles without destabilising the load
 Removable drawbar which can be used at either end of the trailers
 Heavy duty steering turrets fitted with thrust bearing & phosphor bronze bushes

Load Capacity	Platform Size L x W mm	Platform Height mm	Wheels	Platform Type	Weight kg	Model
Heavy Duty Industrial Trailers						
5000kg	2500 x 1250	420	300mm Cast Centred Polyurethane Tyres 32mm Taper Roller Bearing	Steel - Chequer Plate	350	HT875P
		470		Exterior Grade Plywood	350	HT895P
Four Wheel Steering Ackerman Trailers						
3000kg	2500 x 1250	580	450mm Solid Rubber Tyred 30mm Roller Bearings	Steel - Chequer Plate	350	HA573N
		630		Exterior Grade Plywood	350	HA583N