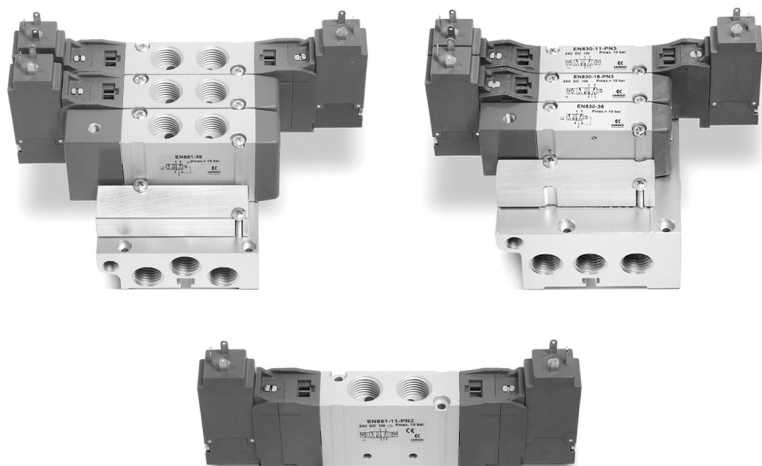


Series EN valves and solenoid valves

5/2-way - 5/3-way CC, CO, CP

With outlets on the body - For individual or manifold assembly

Size 16 - 19 mm



- » Mounting on any flat surface
- » Reduced dimensions
- » Aluminium body and end-covers in technopolymer
- » Space saving

Camozzi has developed a new series of valves to be used in applications requiring a reduced space of installation and in situations where the valves need to be located as near as possible to the operating elements. The single valves can be mounted on any flat surface, allowing compact machine design, which is also enhanced by the reduced dimensions of the valve itself.

Thanks to their robust aluminium bodies, the valves Series EN offer the highest reliability.

This new generation of solenoid valves is the evolution of the previous Series E, size 16 - 19 mm valve with ports threaded into the body. As this valve is completely interchangeable with Series E, part of the code is maintained though the valve has a completely new shape and new components.

GENERAL DATA

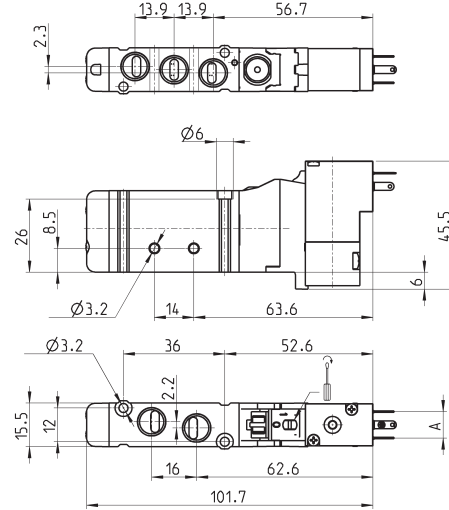
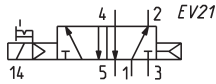
Construction	spool-type
Valve functions	5/2 - 5/3 CC - 5/3 CO - 5/3 CP
Materials	body, spool, bases = AL end-covers = technopolymer joints = NBR PU
Ports	G1/8 - G1/4
Temperature	0°C min. + 50° C max
Fluid	filtered air without lubricant. If lubricated air is used, it is recommended to use ISOVG32 oil and to never interrupt lubrication.
Voltage	see coding
Voltage tolerance	± 10%
Power consumption	2W, 1W
Class of insulation	class F
Protection class	IP65 with connector DIN 40050

Electro-pneum. valve, monostable, solenoid P, W - size 16

5/2-way



Connectors at the end of this section



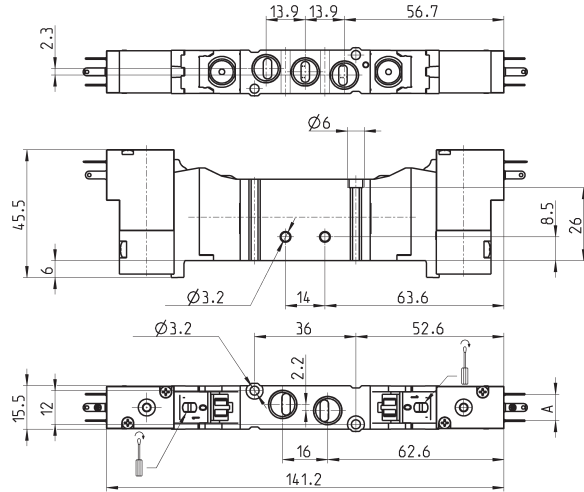
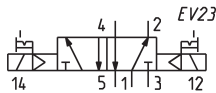
Mod.	Ports	A	Operating pressure (bar)	Flow (NL/min)
EN531-16-P13	G1/8	9,4	2,5 ÷ 10	550
EN531-16-P54	G1/8	9,4	2,5 ÷ 10	550
EN531-16-P56	G1/8	9,4	2,5 ÷ 10	550
EN531-16-W53	G1/8	8	2,5 ÷ 10	550
EN531-16-W54	G1/8	8	2,5 ÷ 10	550

Electro-pneum. valve, bistable, solenoid P, W - size 16

5/2-way



Connectors at the end of this section



Mod.	Ports	A	Operating pressure (bar)	Flow (NL/min)
EN531-11-P13	G1/8	9,4	2 ÷ 10	550
EN531-11-P54	G1/8	9,4	2 ÷ 10	550
EN531-11-P56	G1/8	9,4	2 ÷ 10	550
EN531-11-W53	G1/8	8	2 ÷ 10	550
EN531-11-W54	G1/8	8	2 ÷ 10	550