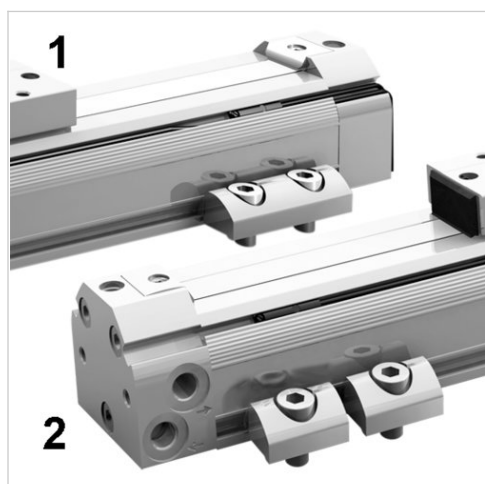


Foot mounting, Series M41, M48

- Suitable piston Ø 16, 25 32, 40 50, 63, 80 mm
- for series RTC-BV, RTC-CG, RTC-HD, RTC-SB



Weight

See table below

Technical data

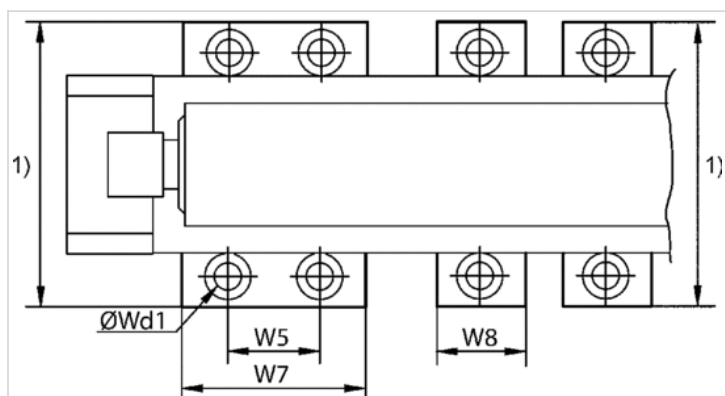
Part No.	Piston Ø	Scope of delivery	Weight	Fig.
R402003401	16, 25 mm	2 piece	0.05 kg	Fig. 1
R402003402	32, 40 mm	2 piece	0.07 kg	Fig. 1
R402003403	50, 63, 80 mm	2 piece	0.2 kg	Fig. 1
R402003404	16, 25 mm	4 piece	0.03 kg	Fig. 2
R402003405	32, 40 mm	4 piece	0.04 kg	Fig. 2
R402005912	50, 63, 80 mm	4 piece	0.04 kg	Fig. 2

Technical information

Material

Material	Aluminum
----------	----------

Dimensions



1) see data sheet for the respective product variant

Dimensions

Part No.	Piston \varnothing		For series	Wd1	W5	W7	W8	Fig.
R402003401	16, 25 mm	M41	RTC-BV, RTC-CG, RTC-HD, RTC-SB	6,8	30	60	–	Fig. 1
R402003402	32, 40 mm	M41	RTC-BV, RTC-CG, RTC-HD, RTC-SB	8,8	30	60	–	Fig. 1
R402003403	50, 63, 80 mm	M41	RTC-BV, RTC-CG, RTC-HD, RTC-SB	13	40	80	–	Fig. 1
R402003404	16, 25 mm	M48	RTC-BV, RTC-CG, RTC-HD, RTC-SB	6,8	–	–	30	Fig. 2
R402003405	32, 40 mm	M48	RTC-BV, RTC-CG, RTC-HD, RTC-SB	8,8	–	–	30	Fig. 2
R402005912	50, 63, 80 mm	M48	RTC-BV, RTC-CG, RTC-HD, RTC-SB	13	–	–	40	Fig. 2

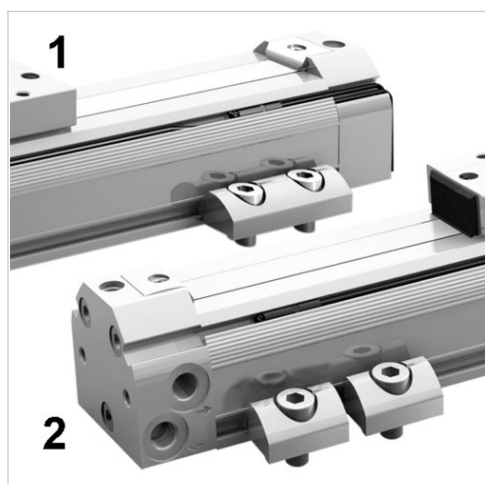
Fig. 1 M41

Fig. 2 M48

Foot mounting, Series M41, M48

- Suitable piston Ø 16, 25 32, 40 50, 63, 80 mm

- for series RTC-BV, RTC-CG, RTC-HD, RTC-SB



Weight

See table below

Technical data

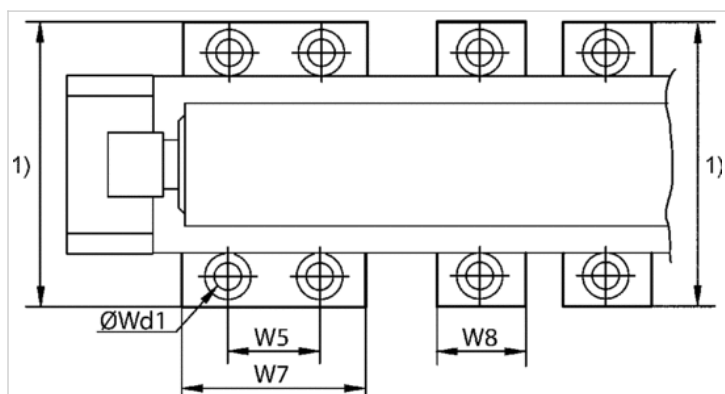
Part No.	Piston Ø	Scope of delivery	Weight	Fig.
R402003401	16, 25 mm	2 piece	0.05 kg	Fig. 1
R402003402	32, 40 mm	2 piece	0.07 kg	Fig. 1
R402003403	50, 63, 80 mm	2 piece	0.2 kg	Fig. 1
R402003404	16, 25 mm	4 piece	0.03 kg	Fig. 2
R402003405	32, 40 mm	4 piece	0.04 kg	Fig. 2
R402005912	50, 63, 80 mm	4 piece	0.04 kg	Fig. 2

Technical information

Material

Material	Aluminum
----------	----------

Dimensions



1) see data sheet for the respective product variant

Dimensions

Part No.	Piston \varnothing		For series	Wd1	W5	W7	W8	Fig.
R402003401	16, 25 mm	M41	RTC-BV, RTC-CG, RTC-HD, RTC-SB	6,8	30	60	–	Fig. 1
R402003402	32, 40 mm	M41	RTC-BV, RTC-CG, RTC-HD, RTC-SB	8,8	30	60	–	Fig. 1
R402003403	50, 63, 80 mm	M41	RTC-BV, RTC-CG, RTC-HD, RTC-SB	13	40	80	–	Fig. 1
R402003404	16, 25 mm	M48	RTC-BV, RTC-CG, RTC-HD, RTC-SB	6,8	–	–	30	Fig. 2
R402003405	32, 40 mm	M48	RTC-BV, RTC-CG, RTC-HD, RTC-SB	8,8	–	–	30	Fig. 2
R402005912	50, 63, 80 mm	M48	RTC-BV, RTC-CG, RTC-HD, RTC-SB	13	–	–	40	Fig. 2

Fig. 1 M41

Fig. 2 M48