

Compact cylinder, double-acting ADN-S

Type code

001	Series
ADN-S	Compact cylinder, double-acting
002	Design type
S	Short
003	Piston diameter [mm]
6	6
10	10
12	12
16	16
20	20
25	25
32	32
40	40
50	50
63	63

004	Stroke [mm]
5	5
10	10
15	15
20	20
25	25
30	30
35	35
40	40
45	45
50	50

005	Piston rod thread type
A	Male thread
I	Female thread

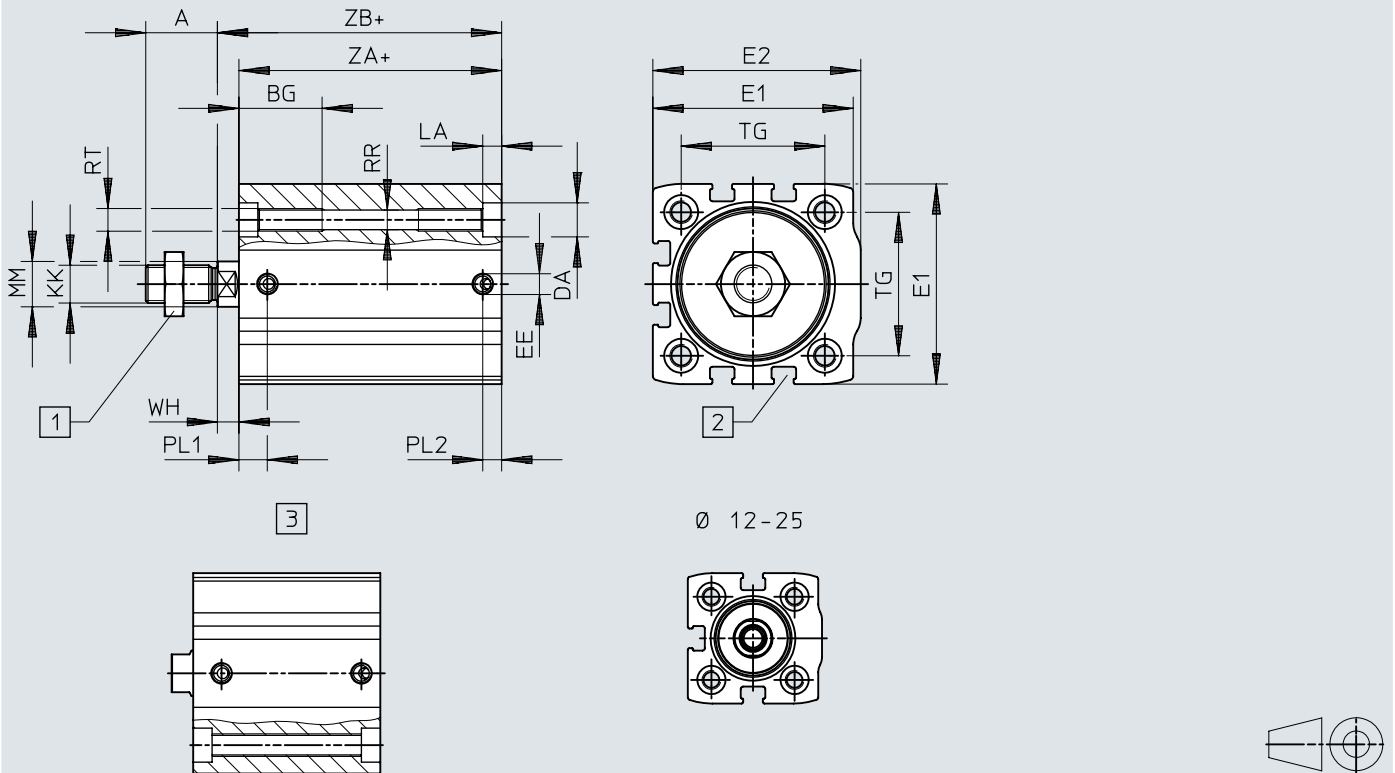
006	Cushioning
	No cushioning
P	Elastic cushioning rings/plates on both sides

007	Position sensing
	None
A	For proximity sensor

008	Special material properties
	None
F1A	Recommended for production facilities for the manufacture of lithium-ion batteries

Dimensions

Dimensions – Ø 12 ... 63 mm – with male thread

Download CAD data → www.festo.com


- [1] Hex nut DIN 439-B only from Ø 32
 [2] T-slot for proximity switch
 [3] Continuous thread Ø 12 ... 25: ZA 0 ... 40, Ø 32 ... 63: ZA 0 ... 50
 [4] + = plus stroke length

	A	BG	DA Ø F9	E1	E2	EE	KK	LA ±0,1	MM Ø h8	PL1
	-0,5	min.								
ADN-S-12	10	19	6	27 _{+0,15}	27,5 _{+0,15}	M5	M5	3,5	6	5
ADN-S-16	12	19	6	29 _{+0,15}	30 _{+0,15}	M5	M6	3,5	8	6
ADN-S-20	16	20	7,5	34,5 _{+0,15}	35,5 _{+0,15}	M5	M8	5	10	6
ADN-S-25	16	20	7,5	38,5 _{+0,15}	39,5 _{+0,15}	M5	M8	5	10	5,5
ADN-S-32	19	22	9	45 _{+0,15}	47 _{+0,15}	M5	M10x1,25	5	12	6,1
ADN-S-40	19	22	9	53 _{+0,15}	55 _{+0,15}	M5	M10x1,25	5	12	7,5
ADN-S-50	22	23	11	63 _{+0,2}	66 _{+0,2}	G1/8	M12x1,25	5	16	8,2
ADN-S-63	22	23	11	75 _{+0,2}	78,5 _{+0,2}	G1/8	M12x1,25	5	16	8,5


	PL2	RR Ø	RT	TG	WH +1	ZA		ZB	
						+0,2	¹⁾ +0,2	+1,2	¹⁾ +1,2
ADN-S-12	5	3,5	M4	16	2,5	15,5	19,5	18	22
ADN-S-16	5	3,5	M4	18	3	16	20,5	19	23,5
ADN-S-20	5	4,2	M5	22	3	17,5	22	20,5	25
ADN-S-25	5	4,2	M5	26	3,5	19	23,5	22,5	27
ADN-S-32	5	5,2	M6	32,5	4	21,5	25	25,5	29
ADN-S-40	5	5,2	M6	38	5	–	29,5	–	34,5
ADN-S-50	7,5	6,8	M8	46,5	7	–	32	–	39
ADN-S-63	8	6,8	M8	56,5	7	–	35	–	42

1) Position sensing

Ordering data

With cushioning – P; with female thread – I					
	Piston diameter	Stroke	Corrosion resistance class CRC ¹⁾	Part no.	Type
	20 mm	50 mm	1 - Low corrosion stress	★ 8076325	ADN-S-20-50-I-P
		25 mm		5 mm	★ 8076343
	10 mm			★ 8076361	ADN-S-25-10-I-P
	15 mm			★ 8076359	ADN-S-25-15-I-P
	20 mm			★ 8076357	ADN-S-25-20-I-P
	25 mm			★ 8076355	ADN-S-25-25-I-P
	30 mm			★ 8076353	ADN-S-25-30-I-P
	35 mm			★ 8076351	ADN-S-25-35-I-P
	40 mm			★ 8076349	ADN-S-25-40-I-P
	45 mm			★ 8076347	ADN-S-25-45-I-P
	50 mm			★ 8076345	ADN-S-25-50-I-P
	32 mm			5 mm	★ 8076364
		10 mm		★ 8076382	ADN-S-32-10-I-P
		15 mm		★ 8076380	ADN-S-32-15-I-P
		20 mm		★ 8076378	ADN-S-32-20-I-P
		25 mm		★ 8076376	ADN-S-32-25-I-P
		30 mm		★ 8076374	ADN-S-32-30-I-P
		35 mm		★ 8076372	ADN-S-32-35-I-P
		40 mm		★ 8076370	ADN-S-32-40-I-P
		45 mm		★ 8076368	ADN-S-32-45-I-P
		50 mm		★ 8076366	ADN-S-32-50-I-P

1) More information www.festo.com/x/topic/kbk

With cushioning – P; with female thread – I; with position sensing – A						
	Piston diameter	Stroke	Corrosion resistance class CRC ¹⁾	Part no.	Type	
	12 mm	5 mm	1 - Low corrosion stress	★ 8076406	ADN-S-12-5-I-P-A	
		10 mm		★ 8076418	ADN-S-12-10-I-P-A	
		15 mm		★ 8076416	ADN-S-12-15-I-P-A	
		20 mm		★ 8076414	ADN-S-12-20-I-P-A	
		25 mm		★ 8076412	ADN-S-12-25-I-P-A	
		30 mm		★ 8076410	ADN-S-12-30-I-P-A	
		35 mm		★ 8076408	ADN-S-12-35-I-P-A	
		16 mm		5 mm	★ 8076392	ADN-S-16-5-I-P-A
	10 mm			★ 8076404	ADN-S-16-10-I-P-A	
	15 mm			★ 8076402	ADN-S-16-15-I-P-A	
	20 mm			★ 8076400	ADN-S-16-20-I-P-A	
	25 mm			★ 8076398	ADN-S-16-25-I-P-A	
	30 mm			★ 8076396	ADN-S-16-30-I-P-A	
	35 mm			★ 8076394	ADN-S-16-35-I-P-A	
	20 mm	5 mm		★ 8076322	ADN-S-20-5-I-P-A	
		10 mm		★ 8076340	ADN-S-20-10-I-P-A	
		15 mm		★ 8076338	ADN-S-20-15-I-P-A	
		20 mm		★ 8076336	ADN-S-20-20-I-P-A	
		25 mm		★ 8076334	ADN-S-20-25-I-P-A	
		30 mm		★ 8076332	ADN-S-20-30-I-P-A	
		35 mm		★ 8076330	ADN-S-20-35-I-P-A	
		40 mm		★ 8076328	ADN-S-20-40-I-P-A	
		45 mm		★ 8076326	ADN-S-20-45-I-P-A	
		50 mm		★ 8076324	ADN-S-20-50-I-P-A	
		25 mm		5 mm	★ 8076342	ADN-S-25-5-I-P-A
				10 mm	★ 8076360	ADN-S-25-10-I-P-A
	15 mm			★ 8076358	ADN-S-25-15-I-P-A	
	20 mm			★ 8076356	ADN-S-25-20-I-P-A	