

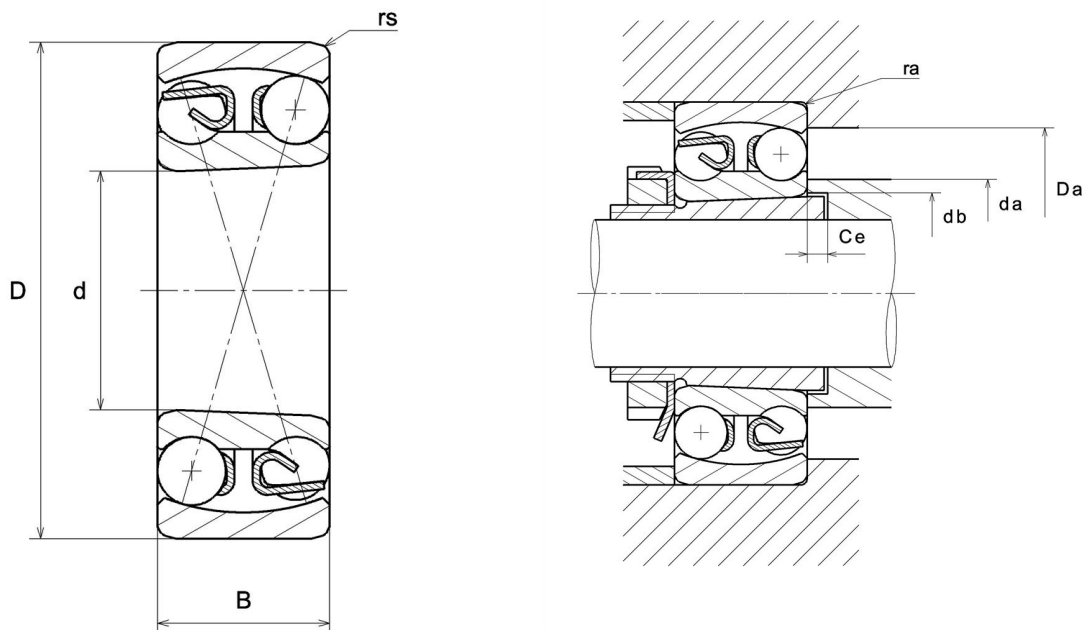
Technical datasheet

2318SKC3

Double row self aligning ball bearings

Self-aligning ball bearing, pressed steel cage, tapered bore, open

Visual(s)



Product definition

d	90 mm
D	190 mm
B	64 mm
rs min	3 mm
Associated sleeve reference	H2318X
e	0.38
Y1	1.7
Y2	2.6
Y0	1.7
Radial clearance class	C3
Precision class	P0
Mass	7.76 kg
Brand	NTN

Product performance

Dynamic load, C	154 kN
Static load, C0	57.5 kN
Nlim (oil)	3,600 rpm
Nlim (grease)	2,800 rpm
Min operating temperature, Tmin	-20 °C
Max operating temperature, Tmax	120 °C

Abutment dimensions

da min	103 mm
da max	117 mm
db min	99 mm
Ce min	6 mm
Da max	177 mm
ra max	2.5 mm