



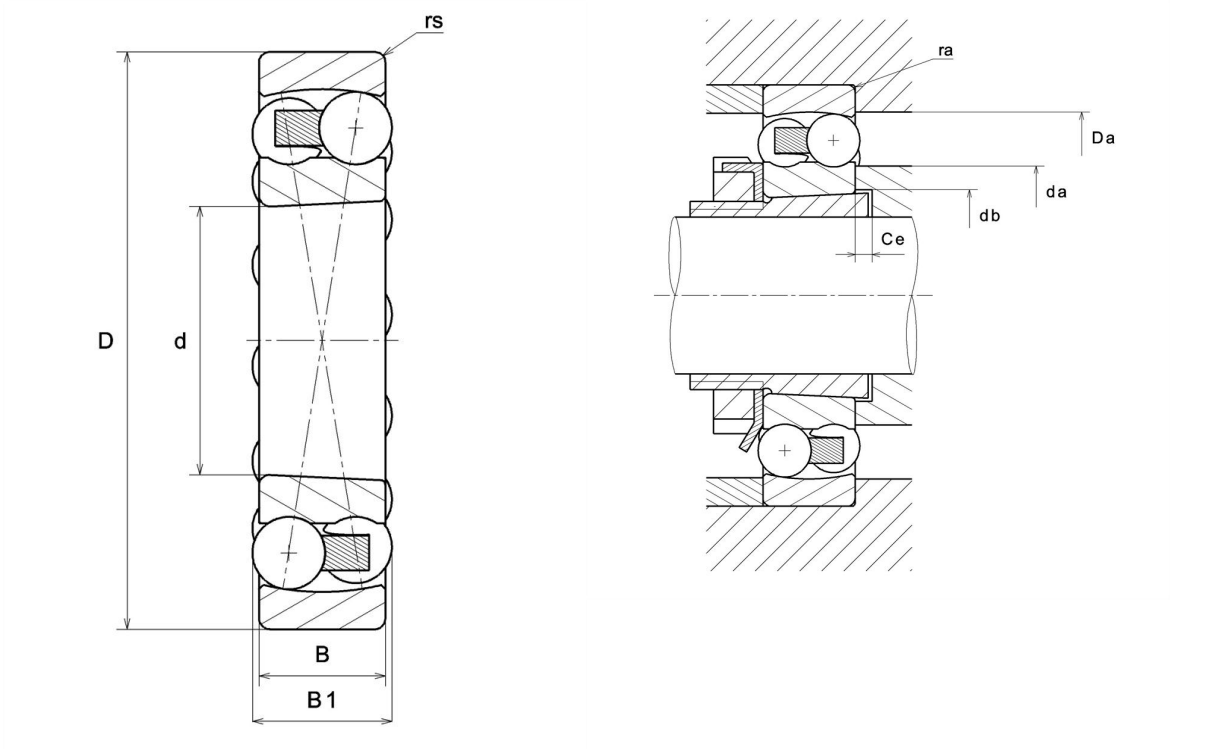
Technical datasheet

2316SKC3

Double row self aligning ball bearings

Self-aligning ball bearing with ball protrusion, pressed steel cage, tapered bore, open

Visual(s)



Product definition

d	80 mm
D	170 mm
B	58 mm
B1	59 mm
rs min	2.1 mm
Associated sleeve reference	H2316X
e	0.39
Y1	1.6
Y2	2.5
Y0	1.7
Radial clearance class	C3
Precision class	P0
Mass	5.54 kg
Brand	NTN

Product performance

Dynamic load, C	130 kN
Static load, C0	45 kN
Nlim (oil)	4,000 rpm
Nlim (grease)	3,200 rpm
Min operating temperature, Tmin	-20 °C
Max operating temperature, Tmax	120 °C

Abutment dimensions

da min	91 mm
da max	103 mm
db min	87 mm
Ce min	5 mm
Da max	159 mm
ra max	2 mm