

IRWIN[®]

TOOLS

CATALOGUE

2017



WISE-GRIP[®]

JACK

QUICK-GRIP[®]

Record[®]

Marples[®]

joran[®]

www.irwin.eu



HACKSAW FRAMES

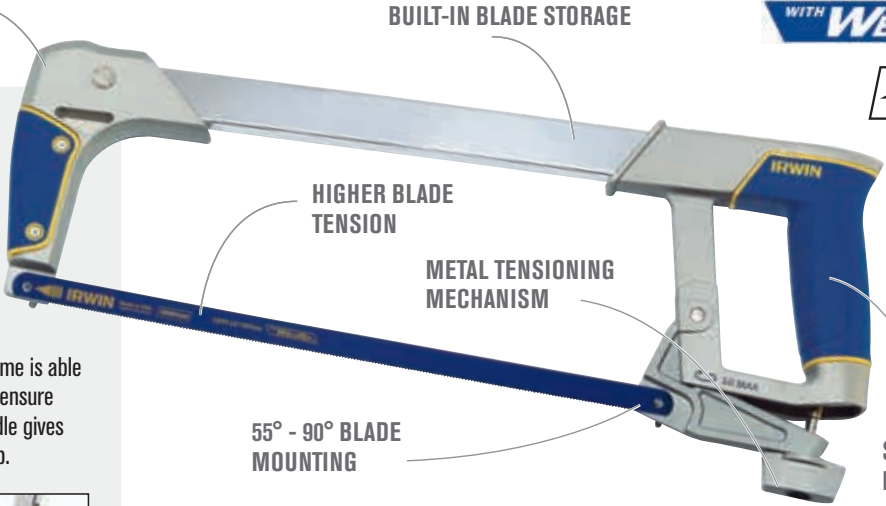
The IRWIN® Hacksaw frames are built to meet the professional's demanding needs. The durable IRWIN® frames make cutting quick and easy.

JAB SAW OPTION

I - 125 HIGH-TENSION HACKSAW (125kg/25,000 PSI)

The IRWIN® heavy-duty hacksaw frame is able to reach over 125kg blade tension to ensure accurate cutting. The soft-touch handle gives professionals a solid and slip-free grip.



1. HIGHER BLADE TENSION
For straight cuts and prevents blade being released when dropped

2. METAL TENSIONING MECHANISM
For a longer lasting tool

3. SOFT TOUCH HANDLE
Ensure a comfortable sawing grip and prevents slippage

4. BUILT-IN BLADE STORAGE
So spare blades easily accessible

5. 55° - 90° BLADE MOUNTING
For sawing large objects

6. JAB SAW OPTION
For sawing in confined spaces

10504407

ITEM NO.	DESCRIPTION	EAN	MASTER PACK	SHELF PACK
10504407	I-125 Hacksaw for 12" / 300mm blades	5706915044072	10	10

I - 75 LOW TENSION HACKSAW (75kg/15,000 PSI)

This lightweight durable full metal frame - tensions up to 15,000 PSI with a full metal tensioning mechanism. 90° to 180° blade mounting is available for sawing large objects.

ITEM NO.	DESCRIPTION	EAN	MASTER PACK	SHELF PACK
10506437	I-75 Low-Tension Hacksaw for 12" / 300mm blades	5706915064377	10	10



MINI HACKSAW

Ergonomic handle for secure and comfortable cutting. Optimised for work in confined places.

ITEM NO.	DESCRIPTION	EAN	MASTER PACK	SHELF PACK
10504408	Mini Hacksaw, 10" / 250mm blade	5706915044089	60	5



JUNIOR HACKSAW

Durable metal frame and easy tensioning mechanism allows for higher blade tension and improved cutting. The ergonomic handle delivers comfortable sawing.

ITEM NO.	DESCRIPTION	EAN	MASTER PACK	SHELF PACK
10504409	Junior Hacksaw for 6" / 150mm Blades	5706915044096	60	5

