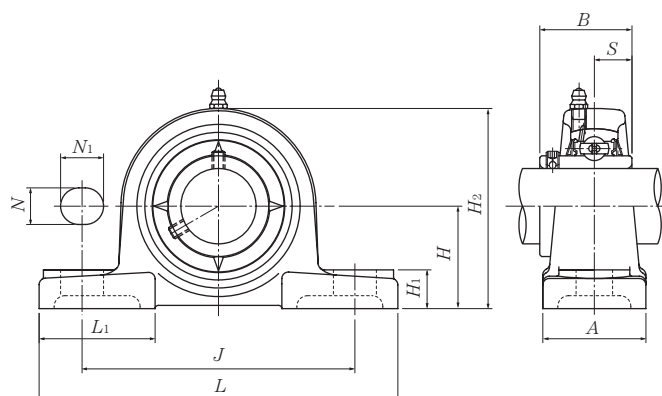


**Pillow blocks cast housing**  
**Set screw type**



Shaft dia. mm inch	Unit number <sup>1)</sup>	Nominal dimensions											Bolt size mm inch	Bearing number
		mm												
		inch.												
		H	L	J	A	N	N <sub>1</sub>	H <sub>1</sub>	H <sub>2</sub>	L <sub>1</sub>	B	S		
<b>12</b> 1/2	<b>UCP201D1</b> <b>UCP201-008D1</b>	30.2 1 3/16	127 5	95 3 3/4	38 1 1/2	13 1/2	16 5/8	14 9/16	62 2 7/16	42 1 21/32	31 1.2205	12.7 0.500	M10 3/8	<b>UC201D1</b> <b>UC201-008D1</b>
<b>15</b> 9/16 5/8	<b>UCP202D1</b> <b>UCP202-009D1</b> <b>UCP202-010D1</b>	30.2 1 3/16	127 5	95 3 3/4	38 1 1/2	13 1/2	16 5/8	14 9/16	62 2 7/16	42 1 21/32	31 1.2205	12.7 0.500	M10 3/8	<b>UC202D1</b> <b>UC202-009D1</b> <b>UC202-010D1</b>
<b>17</b> 1 1/16	<b>UCP203D1</b> <b>UCP203-011D1</b>	30.2 1 3/16	127 5	95 3 3/4	38 1 1/2	13 1/2	16 5/8	14 9/16	62 2 7/16	42 1 21/32	31 1.2205	12.7 0.500	M10 3/8	<b>UC203D1</b> <b>UC203-011D1</b>
<b>20</b> 3/4	<b>UCP204D1</b> <b>UCP204-012D1</b>	33.3 1 5/16	127 5	95 3 3/4	38 1 1/2	13 1/2	16 5/8	14 9/16	65 2 9/16	42 1 21/32	31 1.2205	12.7 0.500	M10 3/8	<b>UC204D1</b> <b>UC204-012D1</b>
<b>25</b> 13/16 7/8 15/16 1	<b>UCP205D1</b> <b>UCP205-013D1</b> <b>UCP205-014D1</b> <b>UCP205-015D1</b> <b>UCP205-100D1</b>	36.5 1 7/16	140 5 1/2	105 4 1/8	38 1 1/2	13 1/2	16 5/8	15 19/32	71 2 25/32	42 1 21/32	34.1 1.3425	14.3 0.563	M10 3/8	<b>UC205D1</b> <b>UC205-013D1</b> <b>UC205-014D1</b> <b>UC205-015D1</b> <b>UC205-100D1</b>
<b>30</b> 1 1/16 1 1/8 1 3/16 1 1/4	<b>UCP206D1</b> <b>UCP206-101D1</b> <b>UCP206-102D1</b> <b>UCP206-103D1</b> <b>UCP206-104D1</b>	42.9 1 11/16	165 6 1/2	121 4 3/4	48 1 7/8	17 2 1/32	20 25/32	17 2 1/32	83 3 9/32	54 2 1/8	38.1 1.5000	15.9 0.626	M14 1/2	<b>UC206D1</b> <b>UC206-101D1</b> <b>UC206-102D1</b> <b>UC206-103D1</b> <b>UC206-104D1</b>
<b>35</b> 1 1/4 1 5/16 1 3/8 1 7/16	<b>UCP207D1</b> <b>UCP207-104D1</b> <b>UCP207-105D1</b> <b>UCP207-106D1</b> <b>UCP207-107D1</b>	47.6 1 7/8	167 6 9/16	127 5	48 1 7/8	17 2 1/32	20 25/32	18 23/32	93 3 21/32	54 2 1/8	42.9 1.6890	17.5 0.689	M14 1/2	<b>UC207D1</b> <b>UC207-104D1</b> <b>UC207-105D1</b> <b>UC207-106D1</b> <b>UC207-107D1</b>

Remarks: 1) These numbers indicate relubricatable type. If maintenance free type is needed, please order without suffix "D1".  
Note: Please refer to page 44 for size of grease fitting.