

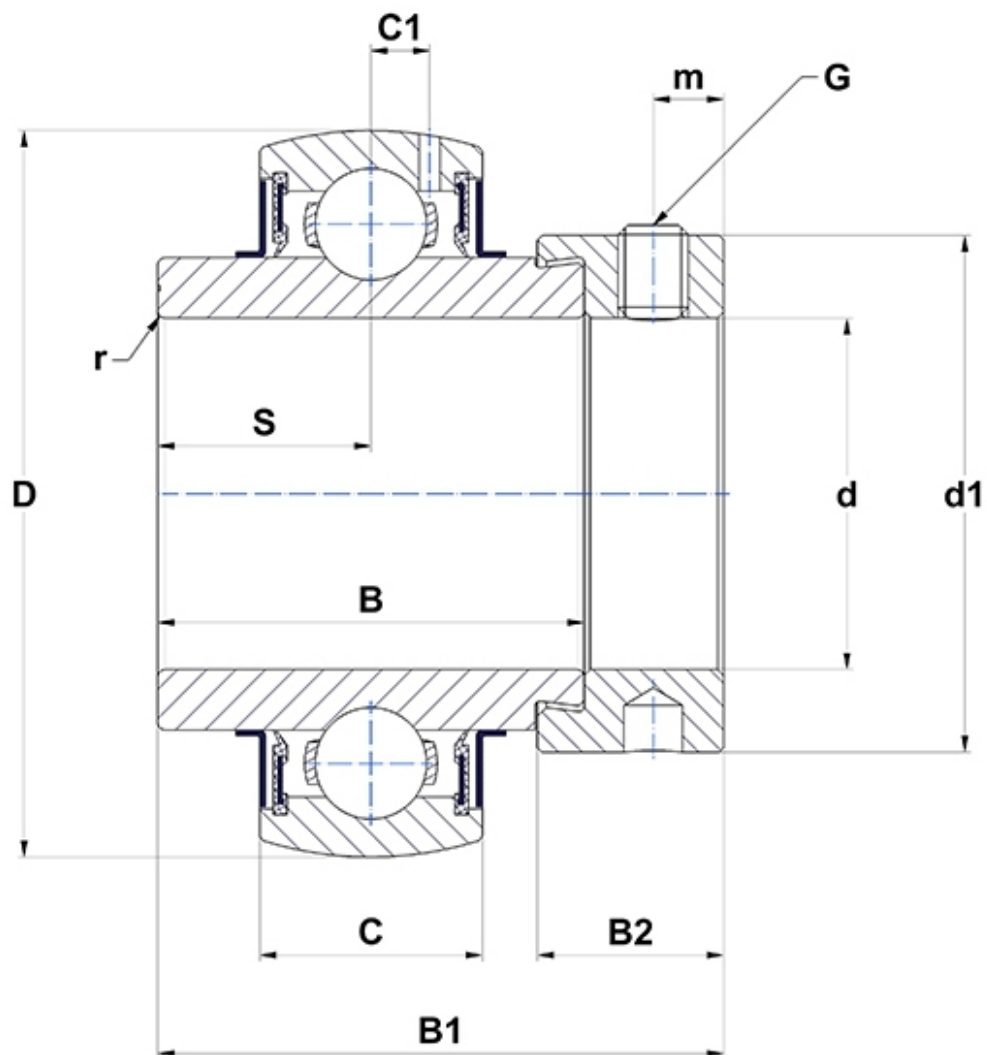
Technical data

EX.216.G2

Insert bearings

spherical outer diameter, fixing by eccentric locking collar, seal with slinger

Visual(s)



Product definition

B	74.6 mm
B1	95.2 mm
B2	27 mm
C	33 mm
C1	10.3 mm
d	80 mm
d1	110 mm
D	140 mm
G	M12x1,25
m	10.3 mm
r	2
S	37.3 mm
SW	6 mm

Product performance

C	72.5 kN
C0	54.2 kN
T min.	-20 °C
T max.	100 °C

Other features

Weight	3.12 kg
Recommended tightening torque for set screw	33 Nm