



## Technical data

### UCPE207

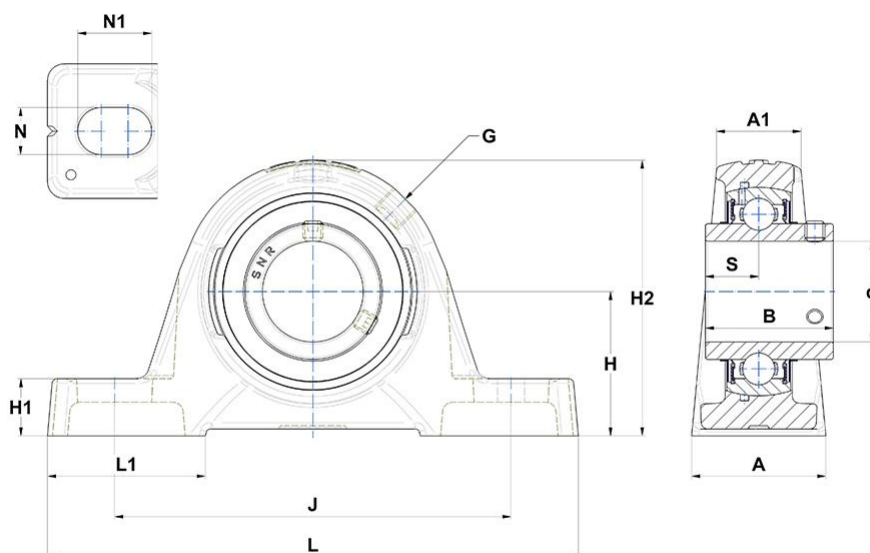
Bearing units

Grey cast housing, radial insert ball bearing with socket set screws, seal with slinger

## KIT CONTENT

UC207G2, PE207

## VISUAL (S)



## PRODUCT DEFINITION

<b>Brand</b>	SNR
<b>A - Housing width</b>	45 mm
<b>A1 - Housing top width</b>	27 mm
<b>B - Width of Inner Ring</b>	42,9 mm
<b>d - Shaft diameter</b>	35 mm
<b>G - Grease fitting</b>	R1/8"

**PRODUCT DEFINITION**

<b>H - Distance mounting base to centerline spheric. seating diam.</b>	47,6 mm
<b>H1 - Housing foot height</b>	19 mm
<b>H2 - Housing height</b>	93 mm
<b>J - Mounting holes distance</b>	126 mm
<b>L - Housing length</b>	163 mm
<b>L1 - Housing foot length</b>	49 mm
<b>N - Mounting hole dimension</b>	14 mm
<b>N1 - Mounting hole length</b>	21 mm
<b>S - Distance front side/bearing centre</b>	17,5 mm

**PRODUCT PERFORMANCE**

<b>C - Dynamic load rating</b>	25,7 kN
<b>C0 - Static load rating</b>	15,2 kN
<b>Operating temperature min.</b>	-20 °C
<b>Operating temperature max.</b>	100 °C

**OTHER FEATURES**

<b>Mass</b>	1,57 kg
<b>Recommended tightening torque for set screw</b>	11.5 N-m