

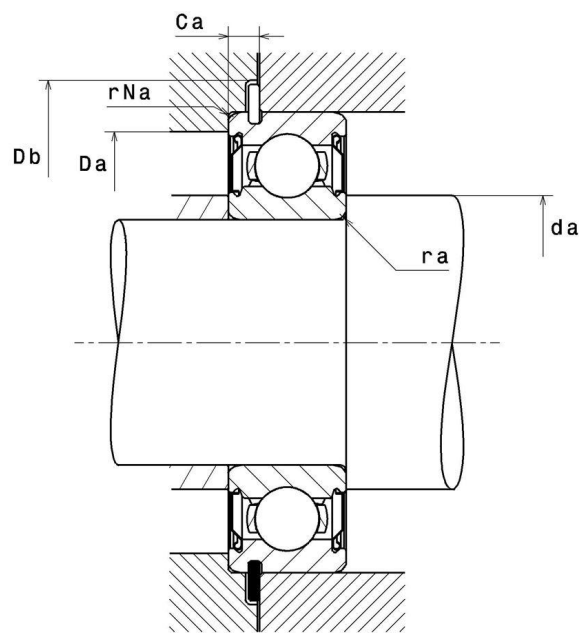
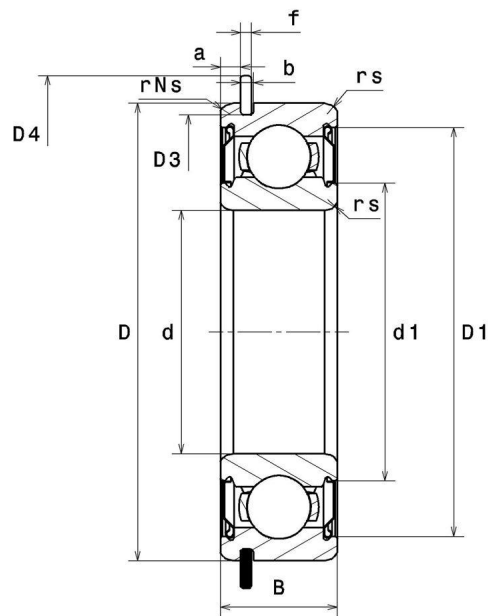
## Technical data

### 6004ZZNR/2AS

Single row deep groove ball bearings

Deep groove ball bearing, radial contact, pressed steel cage, snap ring & groove on outer diameter, shields on both sides

#### VISUAL (S)



# 6004ZZNR/2AS

Single row deep groove ball bearings

## PRODUCT DEFINITION

<b>Brand</b>	NTN
<b>d - Internal diameter</b>	20 mm
<b>D - External diameter</b>	42 mm
<b>B - Bearing/Inner ring width</b>	12 mm
<b>a min - Min position Groove</b>	1,9 mm
<b>a max - Max position groove</b>	2,06 mm
<b>rs - Min fillet radius</b>	0,6 mm
<b>rNs - Min fillet radius</b>	0,5 mm
<b>D3 - Max bottom groove diameter</b>	39,75 mm
<b>b min - Min groove width</b>	1,35 mm
<b>b max - Max groove width</b>	1,65 mm
<b>r0 max - Max bottom groove radius</b>	0,4 mm
<b>D4 max - Max outer diameter of assembled stop ring</b>	46,3 mm
<b>f - Stop ring thickness</b>	1,12 mm
<b>Snap ring reference</b>	R42
<b>Radial clearance class</b>	CN
<b>Mass</b>	0,069 kg

## PRODUCT PERFORMANCE

<b>C - Dynamic load</b>	10,4 kN
<b>C0 - Static load</b>	5,05 kN
<b>Cu - Fatigue limit load</b>	0,355 kN
<b>f0 - Coefficient</b>	13.9
<b>N lim - Grease lubrication limit speed</b>	18000 tr/min



**NTN Europe**

1 rue des Usines · BP 2017 · 74010 Annecy Cedex · France · Tel. +33 (0)4 50 65 30 00  
 S.A. au capital de 322 639 919 € · RCS ANNECY B 325 821 072 · Id. Fiscale : FR 48 325 821 072  
 SIRET 325 821 072 00015 · Code APE 2815 Z · Code NACE 28.15

# 6004ZZNR/2AS

Single row deep groove ball bearings

## PRODUCT PERFORMANCE

<b>Tmin - Min operating temperature</b>	-25 °C
<b>Tmax - Max operating temperature</b>	120 °C

## ABUTMENT

<b>da min - Min shoulder diameter IR</b>	24 mm
<b>Da max - Max shoulder diameter OR</b>	38 mm
<b>ra max - Max shaft &amp; housing fillet radius</b>	0,6 mm
<b>rNa max - Max fillet radius on segment side</b>	0,5 mm
<b>Ca min - Mini segment position</b>	2,92 mm
<b>Ca max - Max segment position</b>	3,18 mm
<b>Db min - Min stop ring position diameter</b>	47 mm



**NTN Europe**

1 rue des Usines · BP 2017 · 74010 Annecy Cedex · France · Tel. +33 (0)4 50 65 30 00  
S.A. au capital de 322 639 919 € · RCS ANNECY B 325 821 072 · Id. Fiscale : FR 48 325 821 072  
SIRET 325 821 072 00015 · Code APE 2815 Z · Code NACE 28.15

INDUSTRY CALCUL FACTORS

Equivalent dynamic radial load

$P = X.F_r + Y.F_a$

$\frac{f_0 F_a}{C_0}$	e	Fa / Fr ≤ e		Fa / Fr > e	
		X	Y	X	Y
0.172	0.19	1	0	0.56	2.3
0.345	0.22				1.99
0.689	0.26				1.71
1.03	0.28				1.55
1.38	0.3				1.45
2.07	0.34				1.31
3.45	0.38				1.15
5.17	0.42				1.04
6.89	0.44				1

Equivalent static radial load

$P_0 = X_0.F_r + Y_0.F_a$

$X_0$	$Y_0$
0.6	0.5

For single or DT bearing arrangement :

If  $P_0 < F_r$ , then use  $P_0 = F_r$

