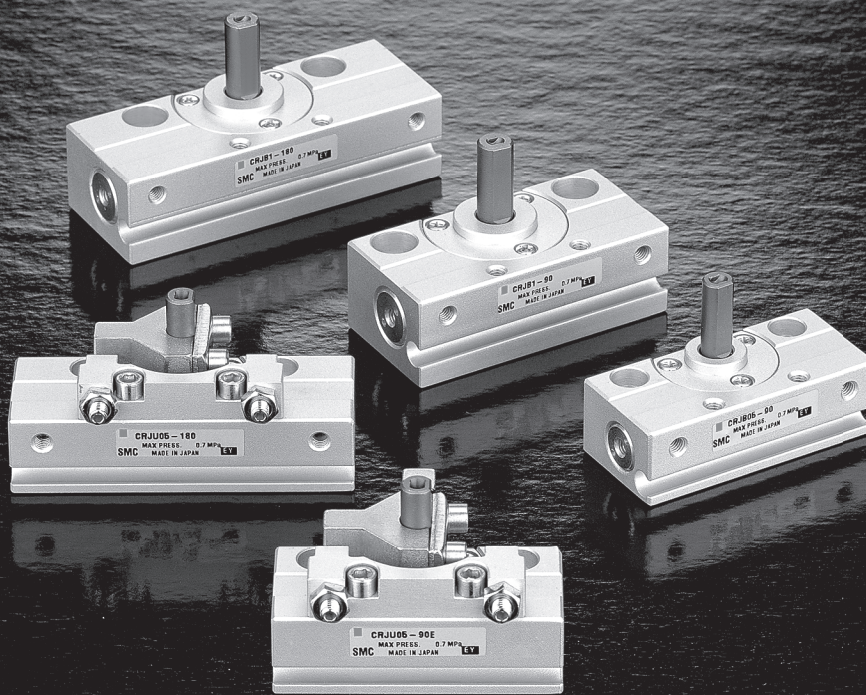


Mini-Rotary Actuator Rack-and-Pinion Type/Size: 05, 1 *Series CRJ*

More Compact!

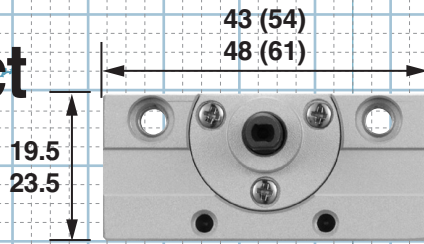


In our pursuit of excellence in size and weight reduction, we proudly announce the release of the Series CRJ Mini-Rotary Actuator!

Mini-Rotary Actuator *Series CRJ*

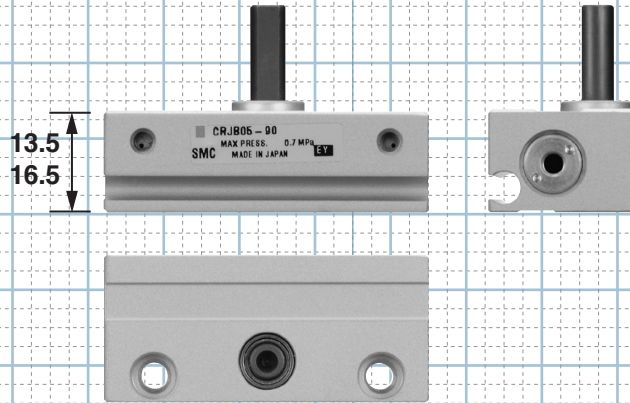
Rack-and-Pinion Type/Size: 05, 1

Compact



Light weight

CRJ05: 32 g (39 g)
CRJ 1: 54 g (67 g)



Actual size (CRJB05-90)

Dimensions
Weights

Top	CRJ05
Bottom	CRJ 1

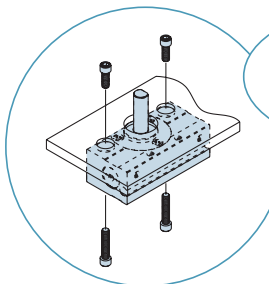
Numbers in () are for 180.

Flexible mounting

A new compact body design not only reduces overall space requirements, but also achieves space savings in wiring and piping.

Ease in mounting is maximized thanks to the merits of the new compact body.

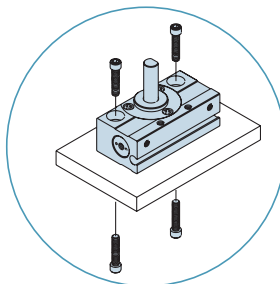
Free mount



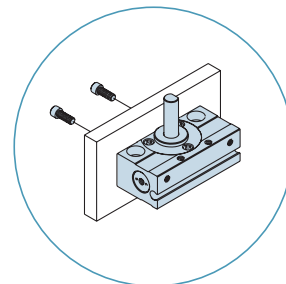
Top mount



Speed controllers do not protrude from the top of the body.



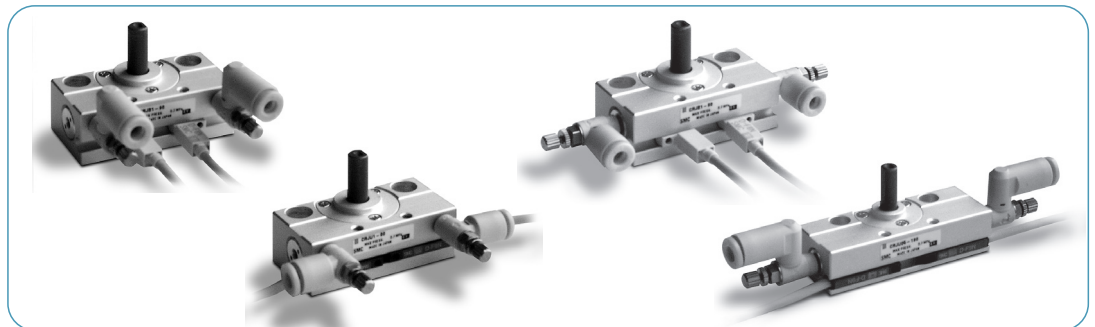
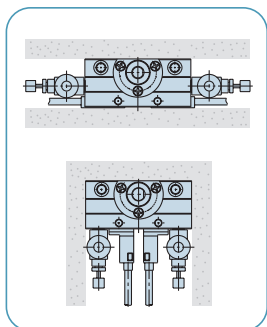
Bottom mount



Side mount

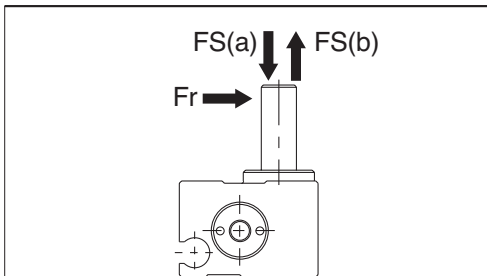
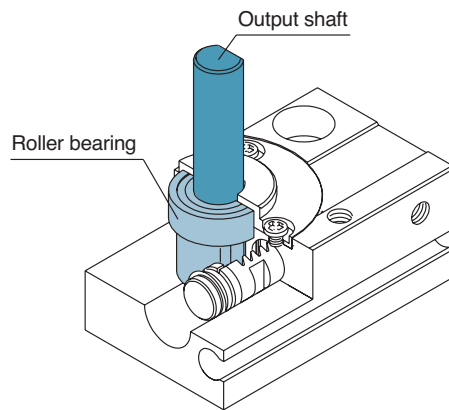
Wiring and piping direction can be selected depending on mounting conditions.

Mounting examples for auto switch and speed controller



Improved allowable load

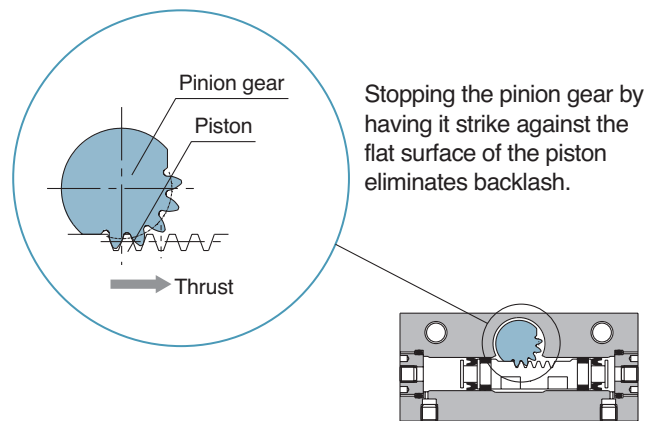
Large roller bearing and large diameter output shaft add to overall compactness while ensuring high rigidity.



Model		CRJ05	CRJ1
Allowable load (N)	Fr	25	30
	FS(a)	20	25
	FS(b)	20	25
Output shaft size (mm)		Ø 5	Ø 6

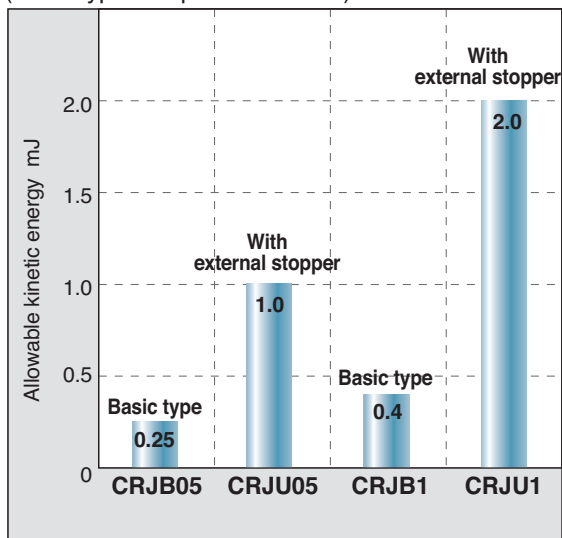
Reduced backlash

Even with a single rack design, the use of a special construction minimizes backlash.

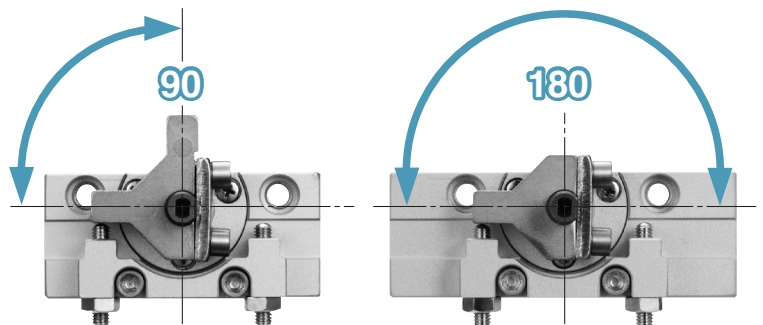


With external stopper/Series CRJU

4 to 5 times allowable kinetic energy (Basic type compared to CRJB)



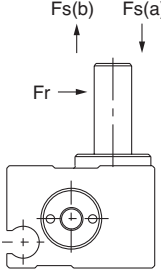
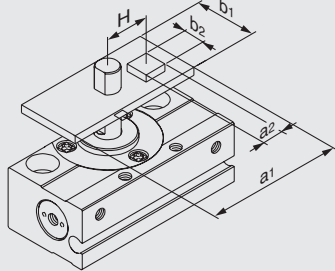
Angle is adjustable: 5 at each rotation end



Variations

Series		Rotation angle				Port location	Auto switch
		90	100	180	190		
Basic type	CRJB05	●	●	●	●	Front port	D-F8
	CRJB 1	●	●	●	●		
With external stopper	CRJU05	●	—	●	—	Side port	D-M9
	CRJU 1	●	—	●	—		

Series CRJ Model Selection

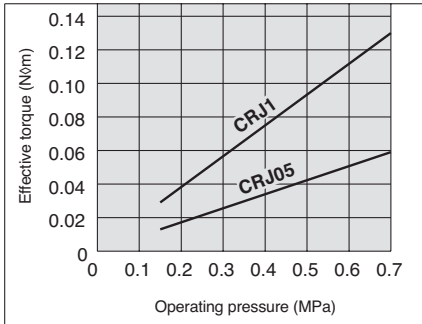
Procedure	Calculation	Example
<p>1 Operating conditions</p> <p>List all possible operating conditions according to the mounting position.</p> 	<ul style="list-style-type: none"> • Model used • Operating pressure • Mounting position • Load type <ul style="list-style-type: none"> Ts (N·m) Tf (N·m) Ta (N·m) • Load configuration • Rotation time t (s) • Rotation angle • Load mass m (kg) • Distance between central axis and center of gravity H (mm) 	 <p>Rotary actuator: CRJB05-90 Pressure: 0.4 MPa Mounting orientation: Vertical Type of load: Inertial load Ta Load 1 configuration: 20 mm x 10 mm (rectangular plate) Load 2 configuration: 5 mm x 5 mm (square plate) Rotation time t: 0.2 s Rotation angle: 90 Load 1 mass m1: 0.03 kg Load 2 mass m2: 0.006 kg Distance between central axis and center of gravity H: 7 mm</p>
<p>2 Required torque</p> <p>Confirm the type of load as shown below, and select an actuator that satisfies the required torque.</p> <ul style="list-style-type: none"> • Static load: Ts • Resistance load: Tf Load types • Inertial load: Ta 	<p>Effective torque Ts Effective torque (3 to 5) x Tf Effective torque 10 x Ta Effective torque</p>	<p>Inertial load $10 \times Ta = 10 \times I \times \dots$ $= 10 \times 1.57 \times 10^{-6} \text{N} \times (2 \times (\dots) / 0.2)$ $= 0.0012 \text{N} \cdot \text{m} < \text{Effective torque} \quad \text{OK}$ (Note) I substitutes for ⑤ the value for inertial moment.</p>
<p>3 Rotation time</p> <p>Confirm that it is within the rotation adjustment time range.</p>	<p>0.1 to 0.5 s/90</p>	<p>0.2 s/90 OK</p>
<p>4 Allowable load</p> <p>Confirm that the radial load, thrust load and moment are within the allowable ranges.</p>	<p>Thrust load: $m \times 9.8$ Allowable load Allowable load</p>	<p>$(0.03 + 0.006) \times 9.8 = 0.35 \text{N} < \text{Allowable load} \quad \text{OK}$</p>
<p>5 Inertial moment</p> <p>Find the load's inertial moment "I" for the energy calculation.</p>	<p>$I_1 = m \times (aX + bX) / 12$ $I_2 = m \times (aX + bX) / 12 + m \times HX$ $I = I_1 + I_2$ Inertial moment</p>	<p>$I_1 = 0.03 \times (0.02^2 + 0.01^2) / 12 = 1.25 \times 10^{-6} \text{kg} \cdot \text{m}^2$ $I_2 = 0.006 \times (0.005^2 + 0.005^2) / 12 + 0.006 \times 0.007^2$ $= 0.32 \times 10^{-6} \text{kg} \cdot \text{m}^2$ $I = 1.25 \times 10^{-6} + 0.32 \times 10^{-6}$ $= 1.57 \times 10^{-6} \text{kg} \cdot \text{m}^2$</p>
<p>6 Kinetic energy</p> <p>Confirm that the load's kinetic energy is within the allowable value.</p>	<p>$1/2 \times I \times \dots < \text{Allowable energy}$ $= 2 / t (\dots : \text{Terminal angular velocity})$ $\dots : \text{Rotation angle (rad)}$ $t : \text{Rotation time (s)}$ Allowable kinetic energy/Rotation time</p>	<p>$1/2 \times 1.57 \times 10^{-6} \times (2 \times (\dots) / 0.2)^2$ $= 0.00019 \text{J} = 0.19 \text{mJ} < \text{Allowable energy} \quad \text{OK}$</p>

Effective Torque

Unit: N·m

Size	Operating pressure (MPa)						
	0.15	0.2	0.3	0.4	0.5	0.6	0.7
05	0.013	0.017	0.026	0.034	0.042	0.050	0.059
1	0.029	0.038	0.057	0.076	0.095	0.11	0.13

Note) Effective torque values are representative values. They are not guaranteed values. Use them only as a guide.



Load Types

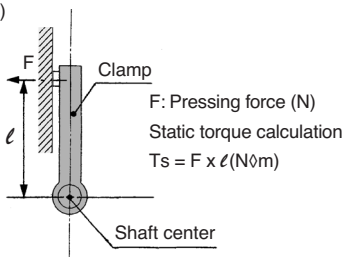
• Static load: Ts

Definition for our purposes:

A load that requires pressing force only, as represented by the clamp.

(If the mass of the clamp itself in the drawing below is considered in the calculations, it should be regarded as an inertial load.)

(Example)



• Resistance load: Tf

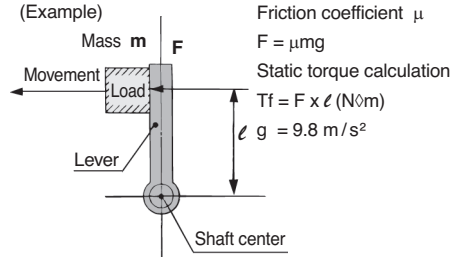
Definition for our purposes:

A load that is affected by external forces such as friction or gravity. Since the purpose is to move the load, and speed adjustment is necessary, allow an extra margin of 3 to 5 times in the effective torque.

* Actuator effective torque (3 to 5) x Tf

(If the mass of the lever itself in the drawing below is considered in the calculations, it should be regarded as an inertial load.)

(Example)



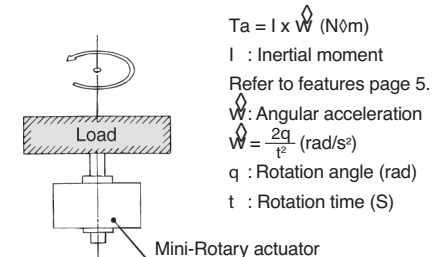
• Inertial load:

Definition for our purposes:

The load that is actually rotated by the actuator. Since the purpose is to rotate the load, and speed adjustment is necessary, allow an extra margin of 10 times or more in the effective torque.

* Actuator effective torque S x Ta (S is 10 times or more)

Accelerating torque calculation



Allowable Load

Set the load and moment applied to the shaft within the allowable values provided in the table below.

(Operation above the allowable values can cause adverse effects on service life, such as pain in the shaft and loss of accuracy.)

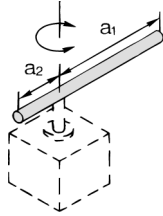
Size	Allowable radial load Fr (N)	Allowable thrust load (N)	
		Fs(a)	Fs(b)
05	25	20	20
1	30	25	25

Inertial Moment Formulas

I: Inertial moment kg·m², m: Load mass kg

1. Thin shaft

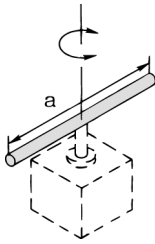
Position of rotational axis: Perpendicular to the shaft anywhere along its length



$$I = m_1 \times \frac{a_1^2}{3} + m_2 \times \frac{a_2^2}{3}$$

2. Thin shaft

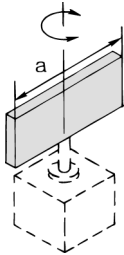
Position of rotational axis: Through the shaft's centre of gravity



$$I = m \times \frac{a^2}{12}$$

3. Thin rectangular plate (rectangular parallelepiped)

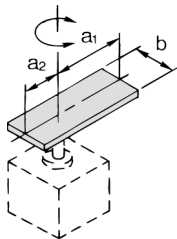
Position of rotational axis: Through the plate's centre of gravity



$$I = m \times \frac{a^2}{12}$$

4. Thin rectangular plate (rectangular parallelepiped)

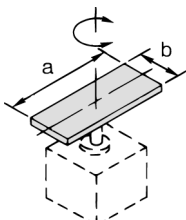
Position of rotational axis: Perpendicular to the plate through one end (also the same in the case of a thicker plate)



$$I = m_1 \times \frac{4a_1^2 + b^2}{12} + m_2 \times \frac{4a_2^2 + b^2}{12}$$

5. Thin rectangular plate (rectangular parallelepiped)

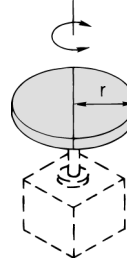
Position of rotational axis: Through the centre of gravity and perpendicular to the plate (also the same in the case of a thicker plate)



$$I = m \times \frac{a^2 + b^2}{12}$$

6. Cylinder (including thin round plate)

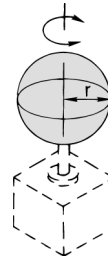
Position of rotational axis: Through the plate's central axis



$$I = m \times \frac{r^2}{2}$$

7. Solid sphere

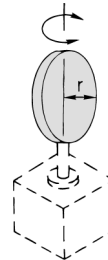
Position of rotational axis: Through the sphere's diameter



$$I = m \times \frac{2r^2}{5}$$

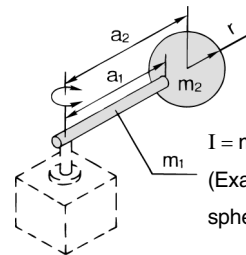
8. Thin round plate

Position of rotational axis: Through the plate's diameter



$$I = m \times \frac{r^2}{4}$$

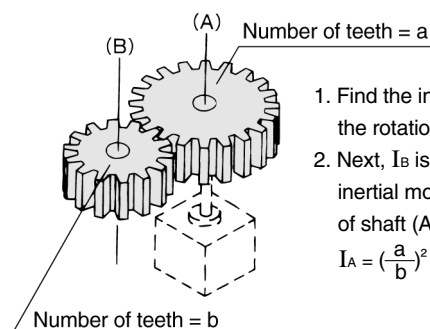
9. Load at the end of lever



$$I = m_1 \times \frac{a_1^2}{3} + m_2 \times a_2^2 + K$$

(Example) When the shape of m₂ is a sphere, refer to 7 above. $K = m_2 \times \frac{2r^2}{5}$

10. Gear transmission



1. Find the inertial moment I_B for the rotation of shaft (B).
2. Next, I_B is entered to find the inertial moment I_A for the rotation of shaft (A) as

$$I_A = \left(\frac{a}{b}\right)^2 \times I_B$$

Kinetic Energy/Rotation Time

Even in cases where the torque required for rotation of the load is small, damage to internal parts may result from the inertial force of the load.

Take into account the load's inertial moment and rotation time during operation when making your model selection. (The inertial moment and rotation time charts can be used for your convenience in making model selections.)

1. Allowable kinetic energy and rotation time adjustment range

From the table below, set the rotation time within the proper adjustment range for stable operation. Note that slow speed operation exceeding the rotation time adjustment range, may lead to sticking or stopping of operation.

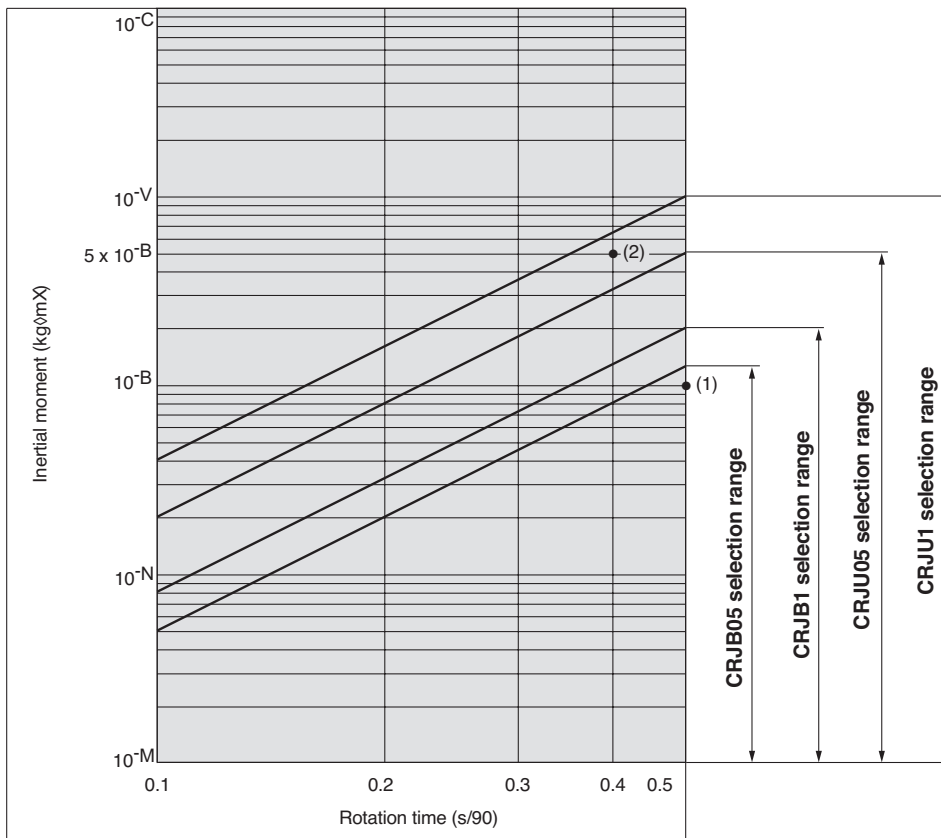
Size		Allowable kinetic energy mJ	Rotation time adjustment range for stable operation s/90
05	Basic type CRJB05	0.25	0.1 to 0.5
	With external stopper CRJU05	1.0	
1	Basic type CRJB 1	0.40	
	With external stopper CRJU 1	2.0	

2. Inertial moment calculation

Since the formulas for inertial moment differ depending on the configuration of the load, refer to the inertial moment calculation formulas on the preceding page.

3. Model selection

Select models by applying the inertial moment and rotation time that you have calculated to the chart below.



1. <How to read the chart>

- Inertial moment $1 \times 10^{-8} \text{kg}\cdot\text{m}^2$
 - Rotation time $0.5 \text{ s} / 90$
- CRJB05 is selected in this case.

2. <Calculation example>

Load configuration: A cylinder of radius 0.05m and mass 0.04kg

Rotation time: $0.4 \text{ s} / 90$

$$I = 0.04 \times 0.05^2 / 2 = 5 \times 10^{-8} \text{kg}\cdot\text{m}^2$$

In the inertial moment and rotation time chart, find the intersection of the lines extended from the points corresponding to $5 \times 10^{-8} \text{kg}\cdot\text{m}^2$ on the vertical axis (inertial moment) and $0.4 \text{ s} / 90$ on the horizontal axis (rotation time).

Since the resulting intersection point falls within the CRJU1 selection range, CRJU1 may be selected.

Mini-Rotary Actuator Air Consumption

Air consumption is the volume of air that is expended by the Mini-Rotary Actuator's reciprocal operation inside the actuator and in the piping between the actuator and the switching valve. It is required for selection of a compressor and for calculation of its running cost.

* The air consumption (Q_{CR}) required for one reciprocation of a single Mini-Rotary Actuator alone is shown in the table below, and can be used to simplify the calculation.

Formulas

$$Q_{CR} = 2V \times \left(\frac{P + 0.1}{0.1} \right) \times 10^{-C}$$

$$Q_{CP} = 2 \times a \times l \times \frac{P}{0.1} \times 10^{-N}$$

$$Q_C = Q_{CR} + Q_{CP}$$

Q_{CR} = Air consumption of Mini-Rotary Actuator [l (ANR)]

Q_{CP} = Air consumption of tubing or piping [l (ANR)]

V = Internal volume of Mini-Rotary Actuator [cm³]

P = Operating pressure [MPa]

l = Length of piping [mm]

a = Internal cross section of piping [mm²]

Q_C = Air consumption required for one reciprocation of Mini-Rotary Actuator [l (ANR)]

When selecting a compressor, it is necessary to choose one that has sufficient reserve for the total downstream air consumption of all pneumatic actuators. This is affected by factors such as leakage in piping, consumption by drain valves and pilot valves, and reduction of air volume due to temperature drops.

Formula

$$Q_{C2} = Q_C \times n \times \text{Number of actuators} \times \text{Reserve factor}$$

Q_{C2} = Compressor discharge flow rate
 n = Actuator reciprocations per minute

Internal cross section of tubing and steel piping

Nominal size	O.D. (mm)	I.D. (mm)	Internal cross section a (mm ²)
T□ 0425	4	2.5	4.9
T□ 0604	6	4	12.6
TU 0805	8	5	19.6
T□ 0806	8	6	28.3
1/8B	—	6.5	33.2
T□ 1075	10	7.5	44.2
TU 1208	12	8	50.3
T□ 1209	12	9	63.6
1/4B	—	9.2	66.5
TS 1612	16	12	113
3/8B	—	12.7	127
T□ 1613	16	13	133
1/2B	—	16.1	204
3/4B	—	21.6	366
1B	—	27.6	598

Air Consumption

Air consumption of rotary actuator: Q_{CR} l (ANR)

Size	Rotation	Internal volume (cm ³)	Operating pressure (MPa)						
			0.15	0.2	0.3	0.4	0.5	0.6	0.7
05	90	0.15	0.00074	0.00089	0.0012	0.0015	0.0018	0.0021	0.0024
	180	0.31	0.0015	0.0018	0.0025	0.0031	0.0037	0.0043	0.0049
1	90	0.33	0.0016	0.0020	0.0026	0.0033	0.0039	0.0046	0.0052
	180	0.66	0.0033	0.0039	0.0052	0.0065	0.0078	0.0091	0.010

Mini-Rotary Actuator

Series CRJ

How to Order

Rotation angle

90	90
100	100
180	180
190	190

Basic type CRJ B 05 — 90 E — M9B S

With external stopper CRJ U 05 — 90 E — M9B S

Size

05
1

Number of auto switches

—	2 pcs.
S	1 pc.

Auto switch type

—	Without auto switch (built-in magnet)
---	---------------------------------------

Select applicable auto switches from the table below.

Rotation angle

90	90
180	180

Connecting port position

—	Front port	
E	Side port	

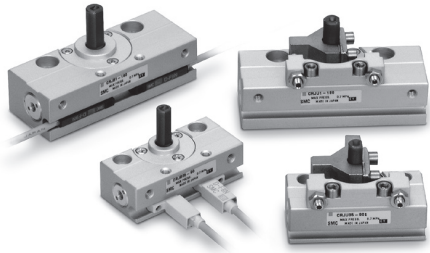
Applicable auto switches

Type	Special function	Electrical entry	Indicator light	Wiring (output)	Load voltage		Auto switch part no.		Lead wire length (m)			
					DC	AC	Electrical entry direction		0.5 (-)	3 (L)	5 (Z)	
							Perpendicular	In-line				
Solid state switch	—	Grommet	Yes	3-wire (NPN)	24V	12V	—	—	M9N	●	●	—
				F8N				—	●	●	○	
				—				M9P	●	●	—	
				F8P				—	●	●	○	
				—				M9B	●	●	—	
				F8B				—	●	●	○	
	Diagnostic indication (2-colour indication)	—	—	—	3-wire (NPN)	—	—	—	M9NW	●	●	○
					3-wire (PNP)				M9PW	●	●	○
					—				M9BW	●	●	○
					2-wire				—	●	●	○

* Lead wire length symbols: 0.5 m (Example) M9N
 3 m L (Example) M9NL
 5 m Z (Example) M9NWZ

* Auto switches marked "○" are produced upon receipt of order.

Series CRJ



Specifications

Size/Type	05		1	
	Basic type	With external stopper	Basic type	With external stopper
Fluid	Air (non-lube)			
Max. operating pressure	0.7 MPa			
Min. operating pressure	0.15 MPa			
Ambient and fluid temperature	0 to 60 °C (with no freezing)			
Rotation angle <small>Note)</small>	90 ⁺⁸ ₀ , 100 ⁺¹⁰ ₀ 180 ⁺⁸ ₀ , 190 ⁺¹⁰ ₀	90, 180	90 ⁺⁸ ₀ , 100 ⁺¹⁰ ₀ 180 ⁺⁸ ₀ , 190 ⁺¹⁰ ₀	90, 180
Angle adjustment range	—	5 at each rotation end	—	5 at each rotation end
Cylinder bore size	Ø 6		Ø 8	
Port size	M3			

Note) If optimum accuracy of the rotation angle is required, select an actuator with external stopper.

Allowable Kinetic Energy and Rotation Time Adjustment Range

Size/Type			Allowable kinetic energy (mJ)	Rotation time adjustment range for stable operation (s/90)
05	Basic type	CRJB05	0.25	0.1 to 0.5
	With external stopper	CRJU05	1.0	
1	Basic type	CRJB 1	0.40	
	With external stopper	CRJU 1	2.0	

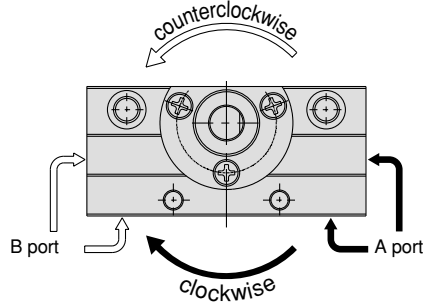
Weights

Type/Size	Model	Weight (g) <small>Note)</small>	
Basic type	05	CRJB05-90	32
		CRJB05-100	
		CRJB05-180	
		CRJB05-190	
	1	CRJB 1-90	54
		CRJB 1-100	
		CRJB 1-180	
		CRJB 1-190	
With external stopper	05	CRJU05-90	47
		CRJU05-180	53
	1	CRJU 1-90	70
		CRJU 1-180	81

Note) Above values do not include auto switch weights.

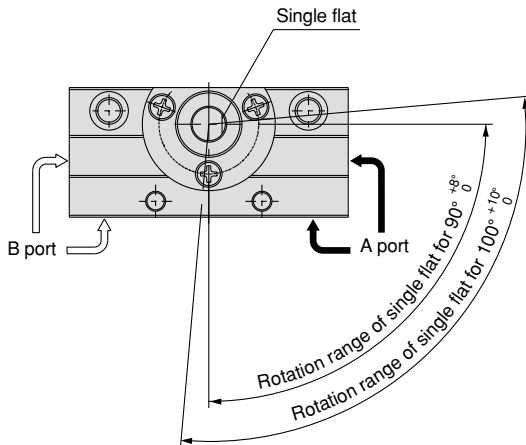
Rotating Direction and Rotation Angle

- The shaft turns clockwise when the A port is pressurized, and counterclockwise when the B port is pressurized.
- For actuators with external stopper, the rotation end can be set within the ranges shown in the drawing by adjusting the stopper bolt.

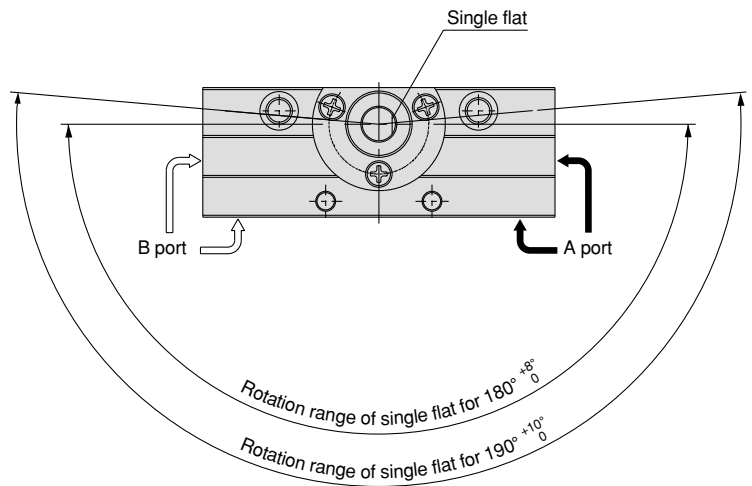


Basic type

For 90° and 100°

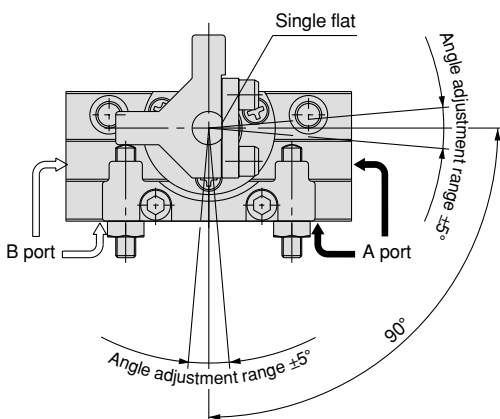


For 180° and 190°

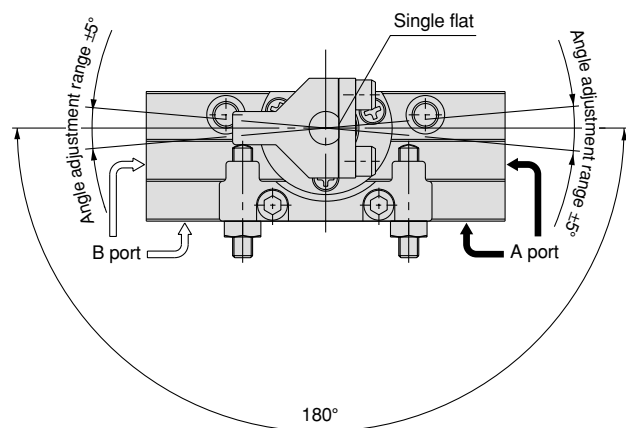


With external stopper

For 90°



For 180°

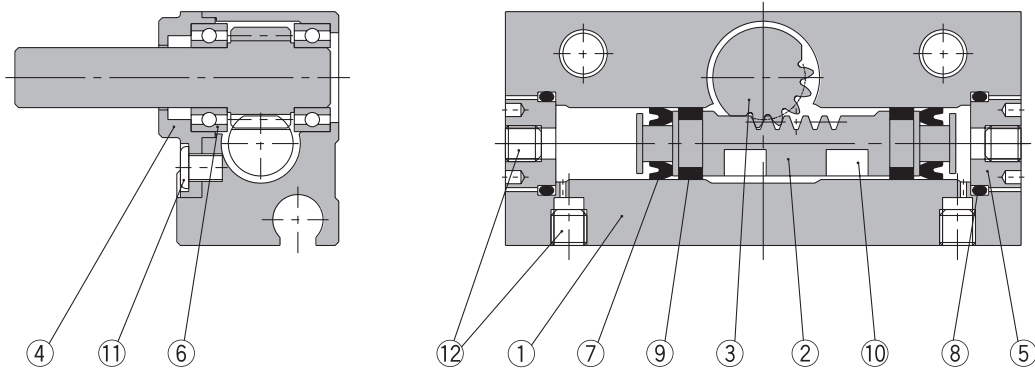


- Note) • The drawings show the rotation range for the shaft's single flat.
 • The single flat position in the drawings shows the counterclockwise rotation end when the rotation angle is adjusted to 90° and 180°.

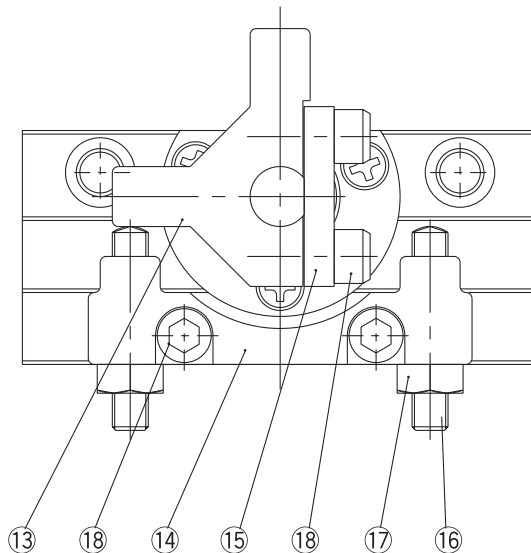
Series CRJ

Construction

Basic type/CRJB



With external stopper/CRJU



Parts list

No.	Description	Material
1	Body	Aluminum alloy
2	Piston	Stainless steel
3	Shaft	Stainless steel
4	Bearing retainer	Aluminum alloy
5	Cover	Aluminum alloy
6	Bearing	Bearing steel
7	Piston seal	NBR
8	O-ring	NBR
9	Wear ring	Resin

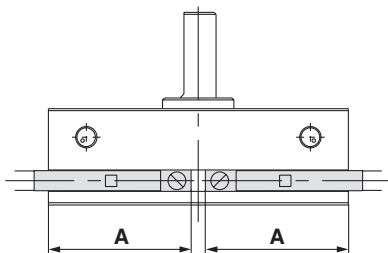
No.	Description	Material
10	Magnet	Magnetic material
11	Round head no. 0 Phillips screw	Steel wire
12	Hexagon socket head set screw	Stainless steel
13	Stopper	Chrome molybdenum steel
14	Holder	Aluminum alloy
15	Stopper retainer	Steel
16	Hexagon socket head set screw	Steel wire
17	Hexagon nut	Steel wire
18	Hexagon socket head cap screw	Stainless steel

* Hexagon socket head set screws (no. 12) are only used when the front ported type is selected for the connection port location.

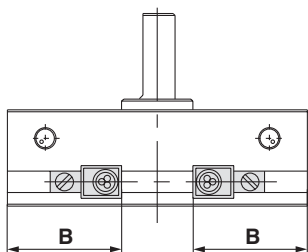
* Individual part cannot be shipped.

Series CRJ

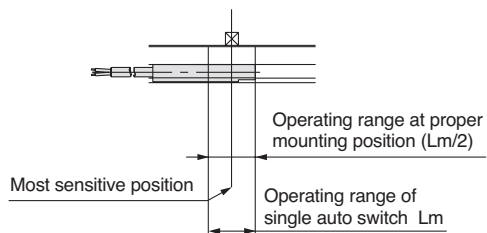
Auto Switch/Proper Mounting Position at Rotation End



For D-M9



For D-F8



Size	Rotation	D-M9 auto switch			D-F8 auto switch		
		A	Rotation range qm	Actuation range	B	Rotation range qm	Actuation range
05	90	20.5	40	10	16.5	20	10
	180	23.2			19.2		
1	90	22.4	30	10	18.4	15	10
	180	25.6			21.6		

Rotation range θ m: Value of the operating range L_m of a single auto switch converted to an axial rotation range.

Actuation range: Value of auto switch hysteresis converted to an angle.

Auto Switch Common Specifications

Type	Solid state switch
Operating time	1 ms or less
Impact resistance	1000 m/s ²
Insulation resistance	50M or more at 500VDC (between lead wire and case)
Withstand voltage	1000 VAC for 1min. (between lead wire and case)
Ambient temperature	-10 to 60 °C
Enclosure	IEC529 standard IP67 JISC0920 watertight construction

Lead Wire Lengths

Indication of lead wire length

(Example)

D-M9P L

↓
Lead wire length

	Lead wire length
-	0.5 m
L	3 m
Z	5 m

- Note 1) Lead wire length Z: Auto switch applicable to 5m length
Solid state switches: All models are produced upon receipt of order.
- Note 2) The standard lead wire length is 3m for water resistant 2-color indication solid state switches. (0.5m is not available.)
- Note 3) For solid state with flexible wire specification, enter "-61" after the lead wire length.

(Example)

D-M9PL-61

↓
Flexible specification

Lead Wire Colour Changes

Lead wire colours of SMC auto switches have been changed in order to meet standard IEC947-5-2 for production beginning September, 1996 and thereafter, as shown in the tables below.

Take special care regarding wire polarity during the time that the old colours still coexist with the new colours.

2-wire

	Old	New
(+) Output	Red	Brown
(-) Output	Black	Blue

3-wire

	Old	New
(+) Power supply	Red	Brown
GND Power supply	Black	Blue
Output	White	Black

Solid state with diagnostic output

	Old	New
(+) Power supply	Red	Brown
GND Power supply	Black	Blue
Output	White	Black
Diagnostic output	Yellow	Orange

Solid state with latch type diagnostic output

	Old	New
(+) Power supply	Red	Brown
GND Power supply	Black	Blue
Output	White	Black
Latch type diagnostic output	Yellow	Orange



Series CRJ/Specific Product Precautions

Be sure to read before handling.

For safety instructions as well as rotary actuator and auto switch precautions, refer to the “Handling Precautions for SMC Products” and the “Operation Manual” of each product on the SMC website: <https://www.smc.eu>

Rotation Angle Adjustment

⚠ Caution

As a standard feature, the actuator with external stopper is equipped with a rotation angle adjustment screw that can be used to adjust the angle of rotation.

Size	Angle adjustment per single rotation of angle adjustment screw
05	2.3
1	2.3

The rotation adjustment range for the actuator with external stopper is 5 at each rotation end. Please note that adjusting beyond this range, may cause product malfunction.

Mounting of Speed Controller and Fittings

⚠ Caution

The M3 piping port is used. In case the speed controller or fittings are directly connected, use the series listed below.

- Speed controller
AS12□1F/Elbow type
AS13□1F/Universal type
- One-touch fitting
One-touch mini Series KJ
- Reducer bushing Series M3

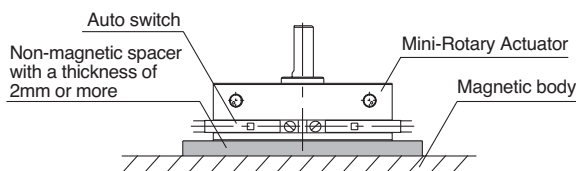
Auto Switch Mounting

⚠ Caution

If a size 05 actuator with auto switch is being used, keep the magnetic body away at least 2mm or more from the bottom of the actuator.

If the magnetic body comes closer than 2mm, malfunction of the auto switch may occur due to the magnetic force drop.

When using the bottom face for mounting, a non-magnetic spacer (such as aluminum) is required as shown below.



Maintenance

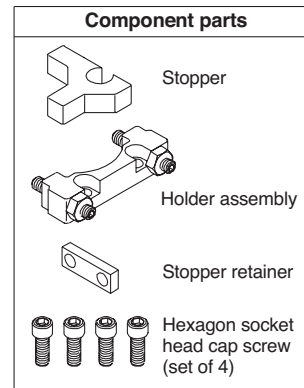
⚠ Caution

This product requires special tools; therefore, it cannot be disassembled for maintenance.

External Stopper Unit

⚠ Caution

Order external stopper unit with the unit part numbers shown below.



Model	Unit part no.
CRJU05- 90	P531010-1
CRJU05-180	P531010-2
CRJU 1- 90	P531020-1
CRJU 1- 180	P531020-2

Note 1) External stopper units for 180 cannot be applied to the 90 Mini-Rotary Actuators.

Note 2) When using external stoppers for 90, use Mini-Rotary Actuators with a rotation range of 100, and for 180, use actuators with a rotation range of 190.

External Stopper Assembly Procedure

Actuators with external stopper (Model CRJU) come already assembled; therefore, the following procedure is not required.

⚠ Caution

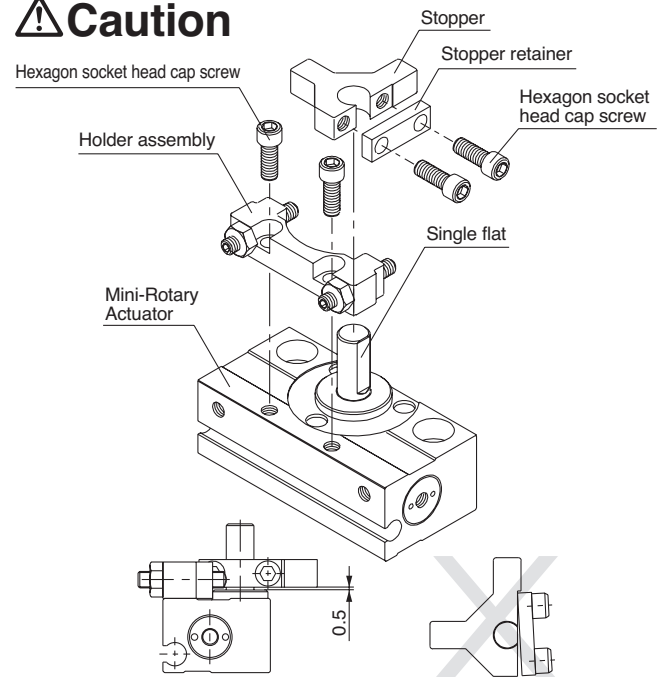


Figure 1

Figure 2

- 1 Assemble the stopper retainer to the stopper temporarily. Then place the stopper retainer in the single flat position and tighten with hexagon socket head cap screws.

Leave a space of approximately 0.5 mm between the stopper and the Mini-Rotary Actuator, as shown in Figure 1.

Tighten the hexagon socket head cap screws evenly so that the stopper retainer is not unevenly tightened as in Figure 2.

Furthermore, take precautions to avoid applying excessive force to the shaft when tightening.

- 2 Tighten the holder assembly with hexagon socket head cap screws.

	Tightening torque N⋅m
Hexagon socket head cap screws	0.8 to 1.2

Safety Instructions

These safety instructions are intended to prevent hazardous situations and/or equipment damage. These instructions indicate the level of potential hazard with the labels of “Caution,” “Warning” or “Danger.” They are all important notes for safety and must be followed in addition to International Standards (ISO/IEC)¹⁾, and other safety regulations.

Danger:

Danger indicates a hazard with a high level of risk which, if not avoided, will result in death or serious injury.

Warning:

Warning indicates a hazard with a medium level of risk which, if not avoided, could result in death or serious injury.

Caution:

Caution indicates a hazard with a low level of risk which, if not avoided, could result in minor or moderate injury.

- 1) ISO 4414: Pneumatic fluid power – General rules and safety requirements for systems and their components.
- ISO 4413: Hydraulic fluid power – General rules and safety requirements for systems and their components.
- IEC 60204-1: Safety of machinery – Electrical equipment of machines. (Part 1: General requirements)
- ISO 10218-1: Robots and robotic devices - Safety requirements for industrial robots - Part 1: Robots.
- etc.

Warning

1. The compatibility of the product is the responsibility of the person who designs the equipment or decides its specifications.

Since the product specified here is used under various operating conditions, its compatibility with specific equipment must be decided by the person who designs the equipment or decides its specifications based on necessary analysis and test results. The expected performance and safety assurance of the equipment will be the responsibility of the person who has determined its compatibility with the product. This person should also continuously review all specifications of the product referring to its latest catalogue information, with a view to giving due consideration to any possibility of equipment failure when configuring the equipment.

2. Only personnel with appropriate training should operate machinery and equipment.

The product specified here may become unsafe if handled incorrectly. The assembly, operation and maintenance of machines or equipment including our products must be performed by an operator who is appropriately trained and experienced.

3. Do not service or attempt to remove product and machinery/equipment until safety is confirmed.

1. The inspection and maintenance of machinery/equipment should only be performed after measures to prevent falling or runaway of the driven objects have been confirmed.
2. When the product is to be removed, confirm that the safety measures as mentioned above are implemented and the power from any appropriate source is cut, and read and understand the specific product precautions of all relevant products carefully.
3. Before machinery/equipment is restarted, take measures to prevent unexpected operation and malfunction.

4. Our products cannot be used beyond their specifications.

Our products are not developed, designed, and manufactured to be used under the following conditions or environments.

Use under such conditions or environments is not covered.

1. Conditions and environments outside of the given specifications, or use outdoors or in a place exposed to direct sunlight.
2. Use for nuclear power, railways, aviation, space equipment, ships, vehicles, military application, equipment affecting human life, body, and property, fuel equipment, entertainment equipment, emergency shut-off circuits, press clutches, brake circuits, safety equipment, etc., and use for applications that do not conform to standard specifications such as catalogues and operation manuals.
3. Use for interlock circuits, except for use with double interlock such as installing a mechanical protection function in case of failure. Please periodically inspect the product to confirm that the product is operating properly.

Caution

We develop, design, and manufacture our products to be used for automatic control equipment, and provide them for peaceful use in manufacturing industries.

Use in non-manufacturing industries is not covered.

Products we manufacture and sell cannot be used for the purpose of transactions or certification specified in the Measurement Act.

The new Measurement Act prohibits use of any unit other than SI units in Japan.

Limited warranty and Disclaimer/Compliance Requirements

The product used is subject to the following “Limited warranty and Disclaimer” and “Compliance Requirements”. Read and accept them before using the product.

Limited warranty and Disclaimer

1. The warranty period of the product is 1 year in service or 1.5 years after the product is delivered, whichever is first.²⁾ Also, the product may have specified durability, running distance or replacement parts. Please consult your nearest sales branch.
 2. For any failure or damage reported within the warranty period which is clearly our responsibility, a replacement product or necessary parts will be provided. This limited warranty applies only to our product independently, and not to any other damage incurred due to the failure of the product.
 3. Prior to using SMC products, please read and understand the warranty terms and disclaimers noted in the specified catalogue for the particular products.
- 2) Vacuum pads are excluded from this 1 year warranty.
A vacuum pad is a consumable part, so it is warranted for a year after it is delivered. Also, even within the warranty period, the wear of a product due to the use of the vacuum pad or failure due to the deterioration of rubber material are not covered by the limited warranty.

Compliance Requirements

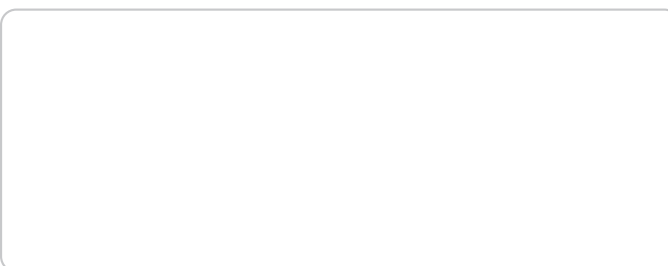
1. The use of SMC products with production equipment for the manufacture of weapons of mass destruction (WMD) or any other weapon is strictly prohibited.
2. The exports of SMC products or technology from one country to another are governed by the relevant security laws and regulations of the countries involved in the transaction. Prior to the shipment of a SMC product to another country, assure that all local rules governing that export are known and followed.

Safety Instructions

Be sure to read “Handling Precautions for SMC Products” (M-E03-3) before using.

SMC Corporation (Europe)

Austria	+43 (0)2262622800	www.smc.at	office.at@smc.com
Belgium	+32 (0)33551464	www.smc.be	info@smc.be
Bulgaria	+359 (0)2807670	www.smc.bg	sales.bg@smc.com
Croatia	+385 (0)13707288	www.smc.hr	sales.hr@smc.com
Czech Republic	+420 541424611	www.smc.cz	office.at@smc.com
Denmark	+45 70252900	www.smodk.com	smc.dk@smc.com
Estonia	+372 651 0370	www.smcee.ee	info.ee@smc.com
Finland	+358 207513513	www.smc.fi	smc.fi@smc.com
France	+33 (0)164761000	www.smc-france.fr	supportclient.fr@smc.com
Germany	+49 (0)61034020	www.smc.de	info.de@smc.com
Greece	+30 210 2717265	www.smchellas.gr	sales@smchellas.gr
Hungary	+36 23513000	www.smc.hu	office.hu@smc.com
Ireland	+353 (0)14039000	www.smcautomation.ie	technical.ie@smc.com
Italy	+39 03990691	www.smcitalia.it	mailbox.it@smc.com
Latvia	+371 67817700	www.smc.lv	info.lv@smc.com



Lithuania	+370 5 2308118	www.smolt.lt	info.lt@smc.com
Netherlands	+31 (0)205318888	www.smc.nl	info@smc.nl
Norway	+47 67129020	www.smc-norge.no	post.no@smc.com
Poland	+48 22 344 40 00	www.smc.pl	office.pl@smc.com
Portugal	+351 214724500	www.smc.eu	apoiocliente.pt@smc.com
Romania	+40 213205111	www.smcromania.ro	office.ro@smc.com
Russia	+7 (812)3036600	www.smc.eu	sales@smcru.com
Slovakia	+421 (0)413213212	www.smc.sk	sales.sk@smc.com
Slovenia	+386 (0)73885412	www.smc.si	office.si@smc.com
Spain	+34 945184100	www.smc.eu	post.es@smc.com
Sweden	+46 (0)86031240	www.smc.nu	order.se@smc.com
Switzerland	+41 (0)523963131	www.smc.ch	helpcenter.ch@smc.com
Turkey	+90 212 489 0 440	www.smcturkey.com.tr	satis@smcturkey.com.tr
UK	+44 (0)845 121 5122	www.smc.uk	sales.gb@smc.com
South Africa	+27 10 900 1233	www.smcza.co.za	Sales.za@smc.com