



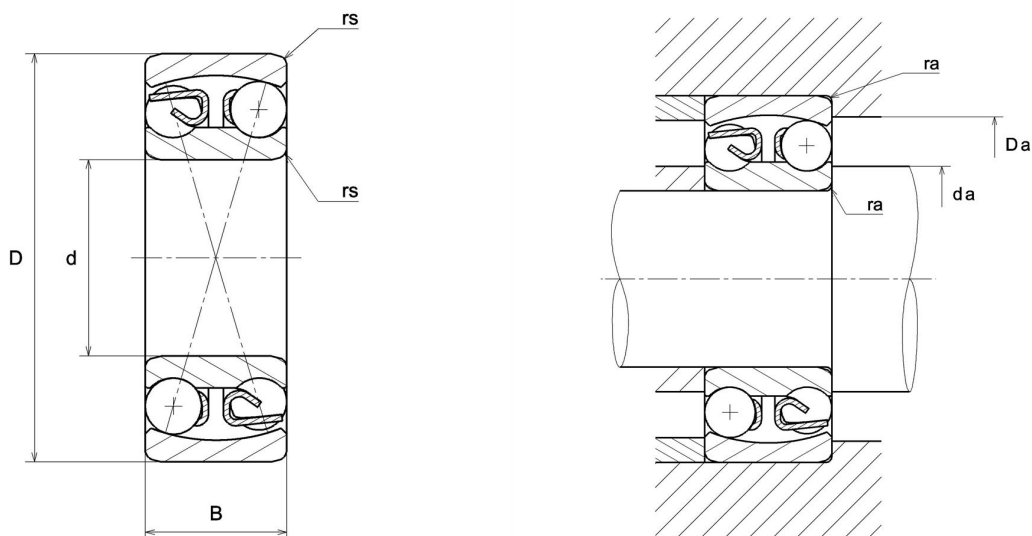
## Technical datasheet

### 1212SC3

Double row self aligning ball bearings

Self-aligning ball bearing, pressed steel cage, open

#### Visual(s)



#### Product definition

<b>d</b>	60 mm
<b>D</b>	110 mm
<b>B</b>	22 mm
<b>rs min</b>	1.5 mm
<b>e</b>	0.18
<b>Y1</b>	3.4
<b>Y2</b>	5.3
<b>Y0</b>	3.6
<b>Radial clearance class</b>	C3
<b>Precision class</b>	P0
<b>Mass</b>	0.9 kg
<b>Brand</b>	NTN

## Product performance

<b>Dynamic load, C</b>	30.5 kN
<b>Static load, C0</b>	11.5 kN
<b>Nlim (oil)</b>	6,300 rpm
<b>Nlim (grease)</b>	5,300 rpm
<b>Min operating temperature, Tmin</b>	-20 °C
<b>Max operating temperature, Tmax</b>	120 °C

## Abutment dimensions

<b>da min</b>	68 mm
<b>Da max</b>	102 mm
<b>ra max</b>	1.5 mm