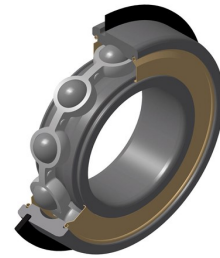
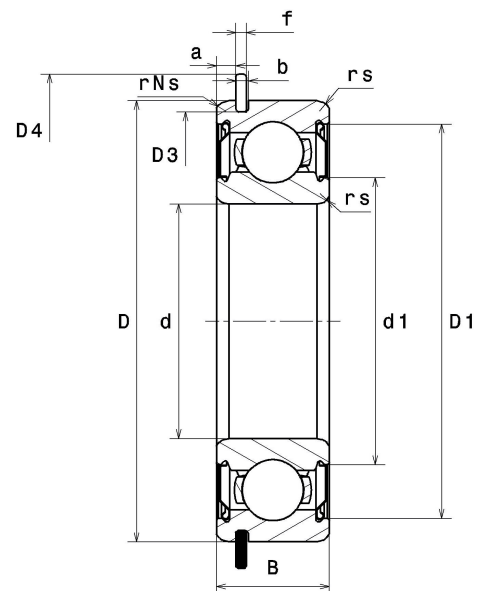


PDF technical sheet 6202.NRZZ

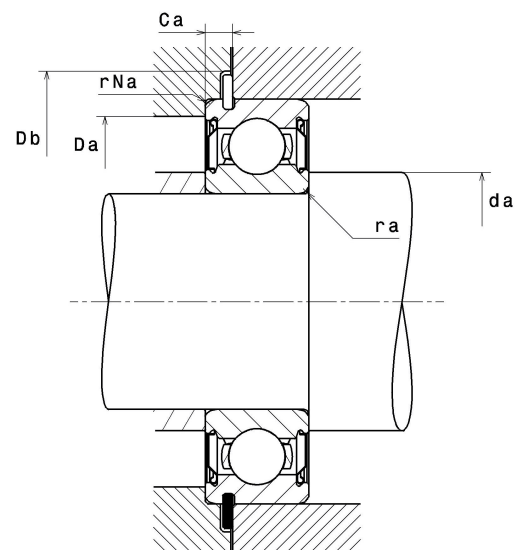


Single row deep groove ball bearings

Product definition	
d	15 mm
D	35 mm
B	11 mm
d1	21.10 mm
D1	30.50 mm
a min	1.90 mm
a max	2.06 mm
Ca min	2.92 mm
Ca max	3.18 mm
rs min	0.60 mm
rNs min	0.50 mm
D3 max	33.17 mm
b min	1.35 mm
b max	1.65 mm
r0 max	0.40 mm
D4 max	39.70 mm
f	1.07 mm
Snap ring reference	R35
Radial clearance class	CN
Mass	0.05 kg
Brand	SNR



Product performance	
Dynamic load, C	7.70 kN
Static load, C0	3.75 kN
Fatigue limit load, Cu	0.17 kN
f0	13.1
Nref	20,000 Tr/min
Nlim	27,000 Tr/min
Min operating temperature, Tmin	-20 °C
Max operating temperature, Tmax	120 °C
Characteristic cage frequency, FTF	0.38 Hz
Characteristic rolling element frequency, BSF	3.97 Hz
Characteristic outer ring frequency, BPF0	3.05 Hz
Characteristic inner ring frequency, BPF1	4.95 Hz



Abutment dimensions	
da min	19 mm
da max	21.10 mm
Da max	31 mm
ra max	0.60 mm
rNa max	0.50 mm
Db min	40.50 mm

da min	19 mm
da max	21.10 mm
Da max	31 mm
ra max	0.60 mm
rNa max	0.50 mm
Db min	40.50 mm

349/702/3/en/DGBB.jpg