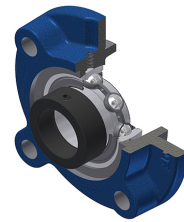


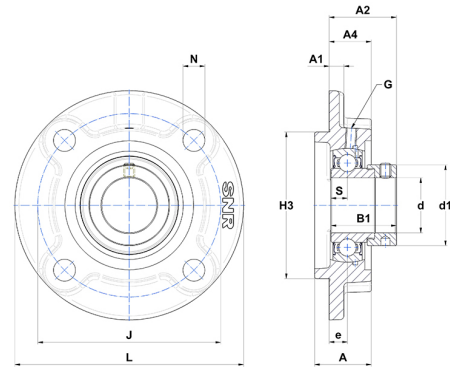
## PDF technical sheet ESFC209N



### Bearing units

grey cast housing, radial insert ball bearing with eccentric locking collar, single lip seal, for low-temp. applications

Product definition	
B	30.20 mm
A	38 mm
A1	10 mm
A2	29.20 mm
A4	26 mm
B1	43.70 mm
d	45 mm
d1	62 mm
e	10 mm
G	M6x1
H3	105
J	132 mm
L	160 mm
N	16 mm
s1	33.40 mm
S	11 mm
Z	34.80 mm



Product performance	
C	31.85 kN
C0	20.80 kN
T min.	-20 °C
T max.	100 °C

Other features	
Weight	2.49 kg
Recommended tightening torque for set screw	11.50 Nm
Designation of housing	FC209N
Designation of bearing	ES209G2