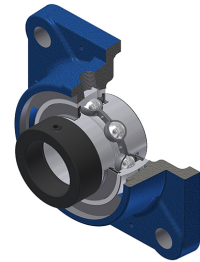


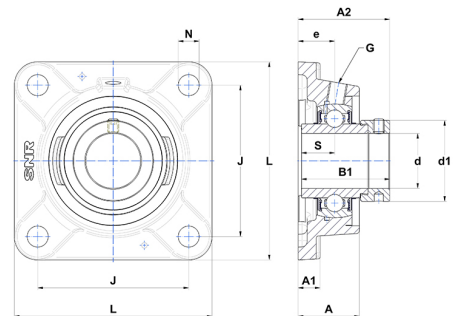
PDF technical sheet EXFE205N



Bearing units

grey cast housing, radial insert ball bearing with eccentric locking collar, seal with slinger, for low-temp. applications

Product definition	
B	34.80 mm
A	30 mm
A1	11 mm
A2	36.40 mm
B1	44.30 mm
d	25 mm
d1	37.40 mm
e	19 mm
G	R1/8"
J	70 mm
L	95 mm
N	11.50 mm
s1	30.90 mm
S	17.40 mm
Z	27 mm



Product performance	
C	14 kN
C0	7.88 kN
T min.	-20 °C
T max.	100 °C

Other features	
Weight	0.85 kg
Recommended tightening torque for set screw	5.50 Nm
Designation of housing	FE205N
Designation of bearing	EX205G2